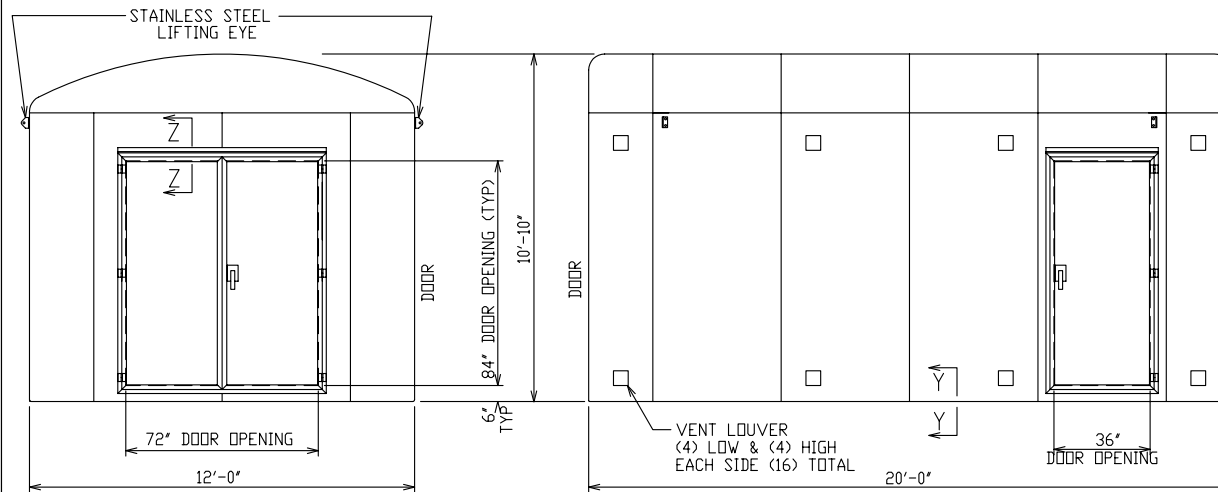


PAD & ANCHOR BOLT DETAIL

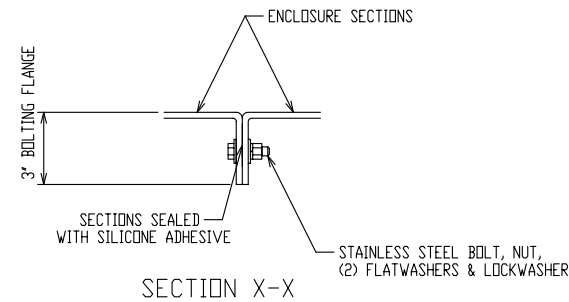
ANCHOR BOLTS TO BE 5/8" DIA. AND TO EXTEND 1-1/2" MINIMUM ABOVE PAD PROVIDE UTILITY ENTRY AS REQUIRED

PLAN VIEW

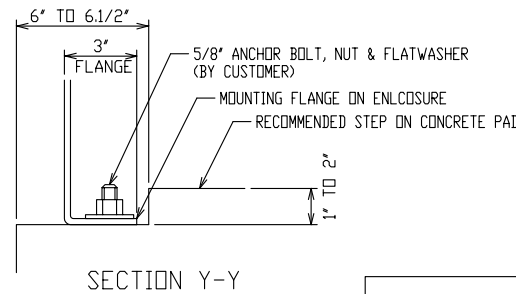


END VIEW

FRONT VIEW

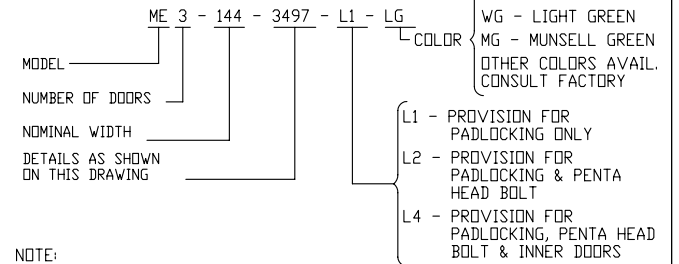


SECTION X-X



SECTION Y-Y

ORDERING INFORMATION:



NOTE:

1. MATERIAL:
 - 1) FIBERGLASS LAMINATE 1/4" NOMINAL THICKNESS
 - 2) EXTERIOR UV STABILIZED GELCOAT - 14 MIL NOMINAL THICKNESS
 - 3) FIRE RETARDANT - DOES NOT SUPPORT COMBUSTION
 - 4) STAINLESS STEEL HARDWARE
2. STANDARDS:
 - 1) CERTIFIED TEST DATA OF ASTM STRUCTURAL STANDARDS AVAILABLE UPON REQUEST

FIBERGLASS MODULAR ENCLOSURE 12 FT WIDE x 10 FT 10 IN HIGH x 20 FT LONG ONE MAN & ONE DOUBLE DOOR EXHAUST FAN (16) INTAKE LOUVERS			
POWER DESIGN INC. ODELL, OREGON			
DRAWN: BB	PAGE	DATE 5-8-06	DRAWING NO. 3497

FILE REF: