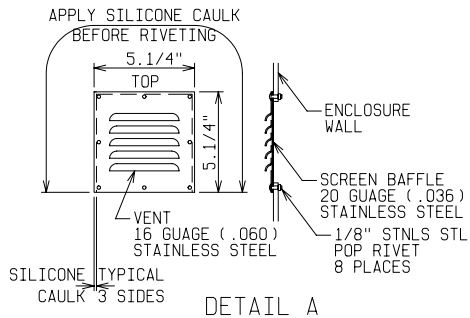
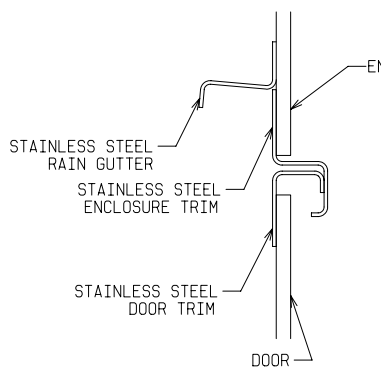


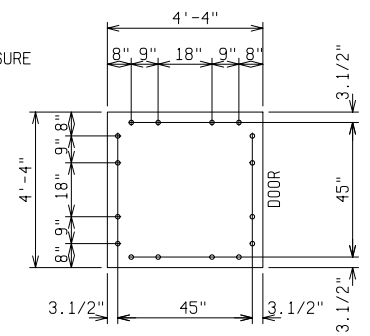
TOP VIEW



DETAIL A

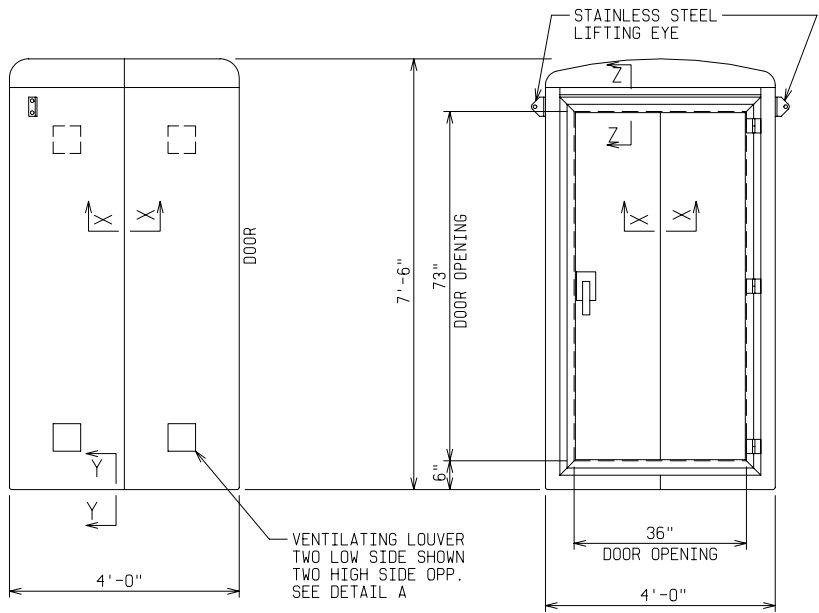


SECTION Z-Z



PAD & ANCHOR BOLT DETAIL

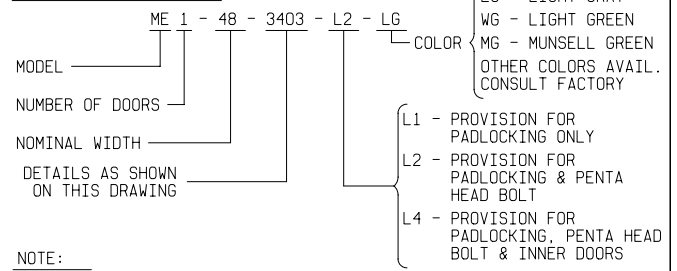
ANCHOR BOLTS TO BE 5/8" DIA. & TO EXTEND 1-1/2" MINIMUM ABOVE PAD. PROVIDE CABLE ENTRY AS REQ'D.



FRONT VIEW

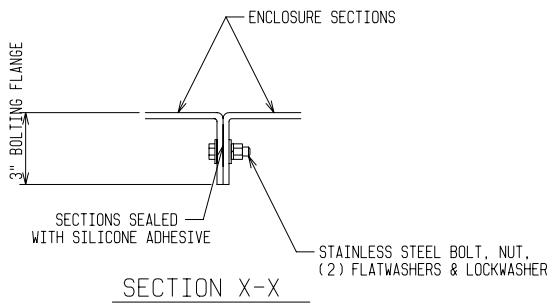
END VIEW

ORDERING INFORMATION:

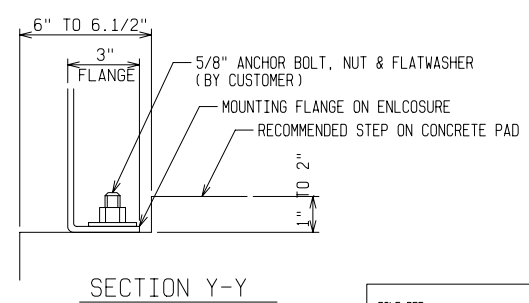


NOTE:

- MATERIAL:
 - FIBERGLASS LAMINATE 1/4" NOMINAL THICKNESS
 - EXTERIOR UV STABILIZED GELCOAT - 14 MIL NOMINAL THICKNESS
 - FIRE RETARDANT - DOES NOT SUPPORT COMBUSTION
 - STAINLESS STEEL HARDWARE
- STANDARDS:
 - CERTIFIED TEST DATA OF ASTM STRUCTURAL STANDARDS AVAILABLE UPON REQUEST



SECTION X-X



SECTION Y-Y

FIBERGLASS EQUIPMENT ENCLOSURE 4 FT WIDE x 7 FT 6 IN HIGH x 4 FT LONG ONE ENTRY DOOR			
 ODELL, OREGON			
DRAWN: BB	PAGE	DATE 3-4-03	DRAWING NO. 3403
FILE REF:			