

BRAINTREE  
ELECTRIC

FILE REF:

MATERIAL LIST - STANDARD UNIT

ITEM	DESCRIPTION
1	FIBERGLASS EQUIPMENT ENCLOSURE - 4 DOOR - MUNSELL GREEN STAINLESS STEEL HARDWARE - PDI MODEL NO. PE4-74-1
2	FREE STANDING GALVANIZED STEEL FRAME
3	200 AMP BUSHING WELL - 25KV - 125KV BIL
4	SLIDE-IN CT MOUNTING HARDWARE - SEE DETAIL A
5	3/16" GPO-3 BARRIER
6	1/4" CLEAR LEXAN LIFT-OFF COVER BARRIERS - TOTAL 3
7	BLACK LINE SHECMATIC ON REFLECTIVE YELLOW TAPE ON FRONT PANEL
8	3/8" DIA COPPER GROUND BAR
9	ENCLOSURE LIFTING EYES
10	125KV BIL INSULATOR
11	CUTLER-HAMMER TYPE CLPT PT FUSE - 15KV - .5E AMP
12	GALVANIZED STEEL HINGED SWING OUT METER MOUNTING PANEL
13	CURRENT TRANSFORMER - OUTDOOR TYPE - 15KV - 110KV BIL 75:5 RATIO - GE JKWSA 755X053782
14	POTENTIAL TRANSFORMER - OUTDOOR TYPE - 15KV - 110KV BIL 8400/14560GY - 70:1 RATIO - GE JVV5A 765X032733
15	1/8" X 1" COPPER BUS - 200 AMP
16	#6 AWG COPPER WIRE
17	SECONDARY WIRING BETWEEN CT's, PT's AND METER BASE - PAGE 3
18	METER SOCKET - 13 JAW - FORM 9S - W/10 POLE TEST SWITCH
19	SPARE FUSE HOLDER CLIPS
20	STAINLESS STEEL METER ACCESS DOOR

OPTIONAL EQUIPMENT

51	BOX PAD - PDI MODEL BP-78W64M30-MG - PAGE 2
----	---

NOTE:

- APPROX WEIGHT OF UNIT 1700 LBS

CATALOG NO: PS4-74-4087-S21-T21-L2-MG-GB38

PRIMARY METERING

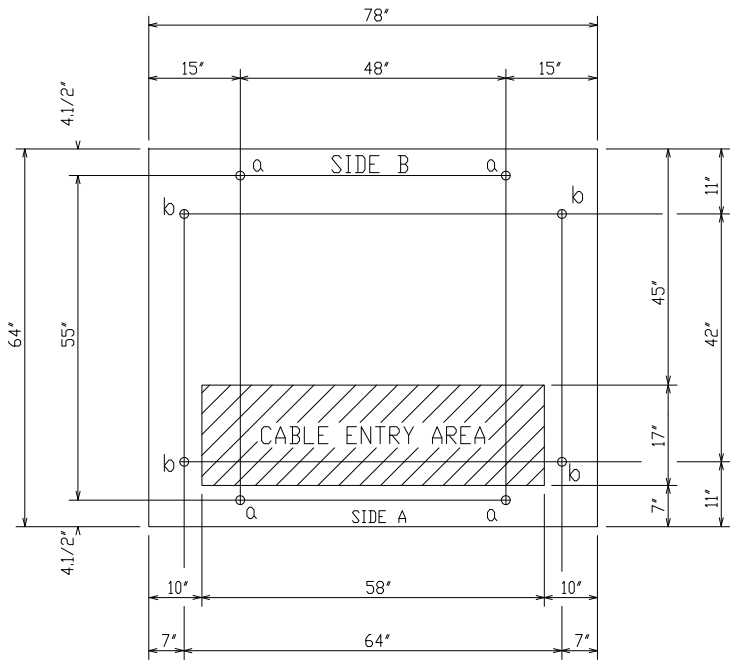
15KV 200 AMP 110KV BIL

THREE PHASE WYE CONNECTED (3) OUTDOOR CT (3) OUTDOOR FUSED PT



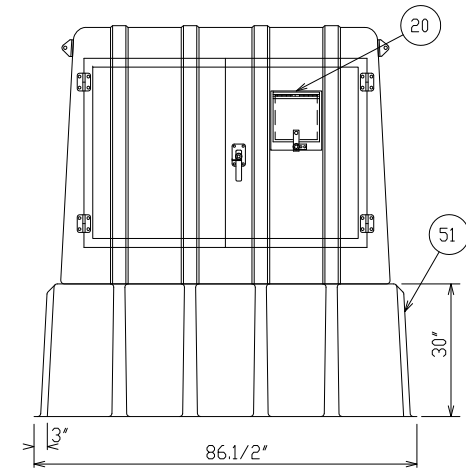
**POWER DESIGN INC.**  
DELL, OREGON

DRAWN:	PAGE	DATE	DRAWING NO.
JAB	1 OF 3	11-04-15	4087-R1



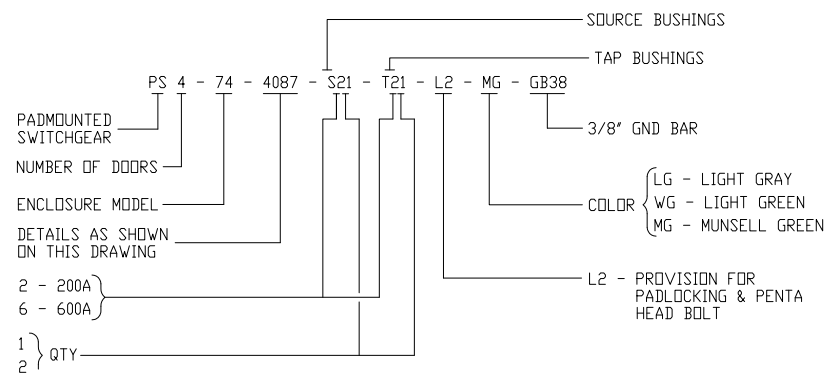
**PAD & ANCHOR BOLT DETAIL**

ANCHOR BOLTS TO BE 1/2" DIA. & TO EXTEND:  
 a = 1-1/2" ABOVE PAD  
 b = 2-1/2" ABOVE PAD



**BP-78W64M30-MG BOX PAD**

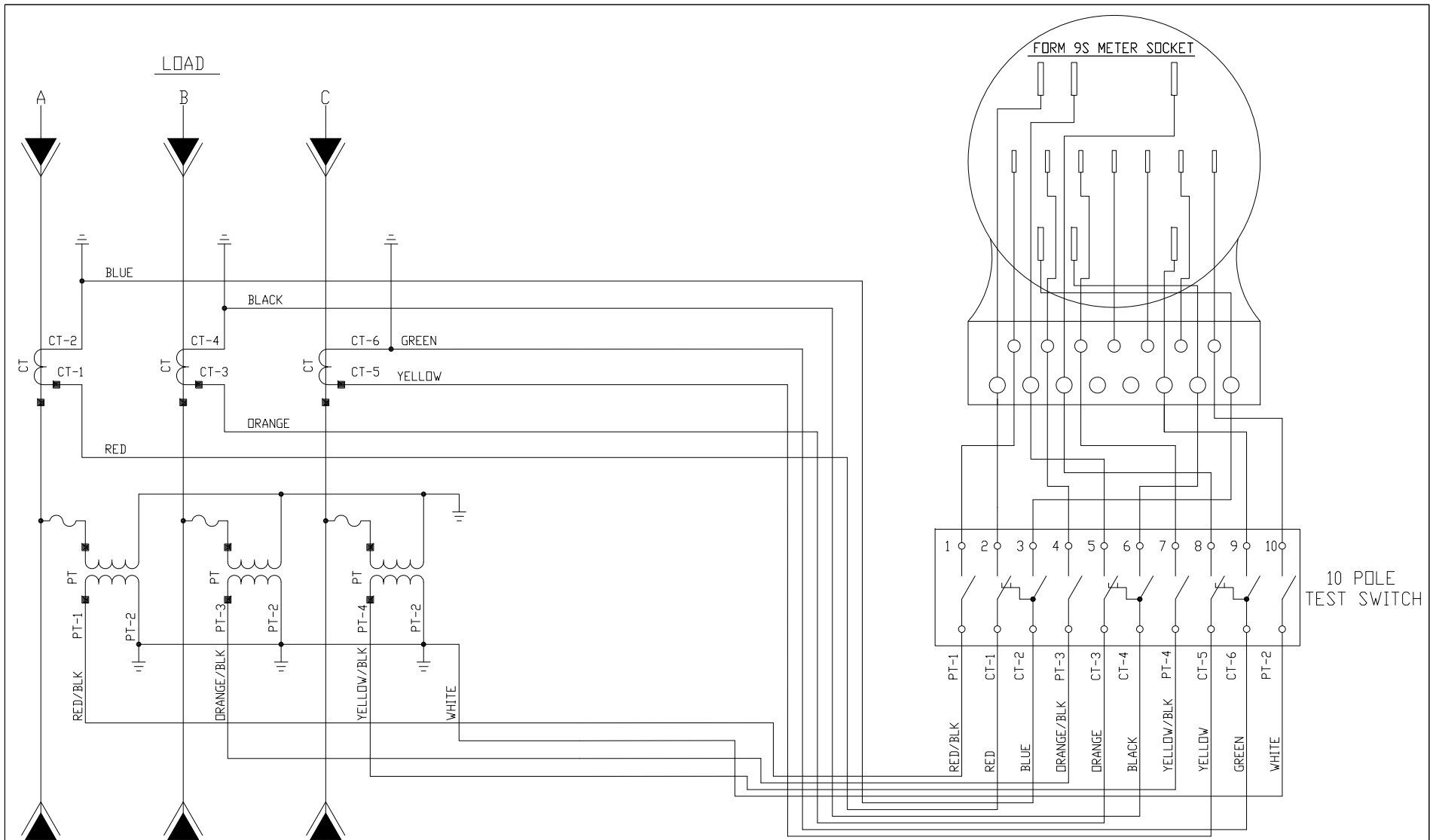
**ORDERING INFORMATION**



CATALOG NO: PS4-74-4087-S21-T21-L2-MG-GB38

PRIMARY METERING			
15KV	200 AMP	110KV BIL	
THREE PHASE WYE CONNECTED		(3) OUTDOOR CT	(3) OUTDOOR FUSED PT
<b>POWER DESIGN INC.</b>			
ODELL, OREGON			
DRAWN: JAB	PAGE 2 OF 3	DATE 11-04-15	DRAWING NO. 4087-R1

**BRAINTREE ELECTRIC**



NOTES

- 1) ALL WIRE #12 STRANDED THHN
- 2) CT'S ARE RATED 75:5 RATIO
- 3) PT'S ARE RATED 70:1 RATIO, CONNECTED LINE TO GROUND

CATALOG NO: PS4-74-4087-S21-T21-L2-MG-GB38

PRIMARY METERING			
15KV	200 AMP	110KV BIL	
THREE PHASE WYE CONNECTED		(3) OUTDOOR CT	(3) OUTDOOR FUSED PT
<b>POWER DESIGN INC.</b> ODELL, OREGON			
DRAWN: JAB	PAGE 3 OF 3	DATE 11-04-15	DRAWING NO. 4087-R1

BRAINTREE  
ELECTRIC

FILE REF: