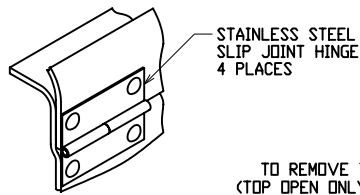
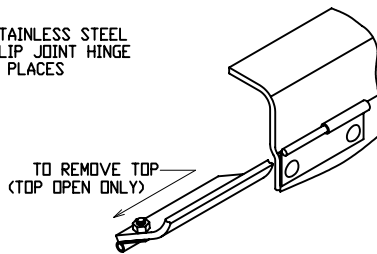


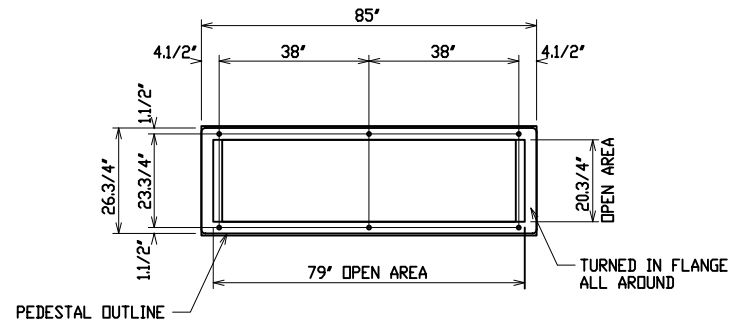
LATCH DETAIL



HINGE DETAIL
(TOP CLOSED)

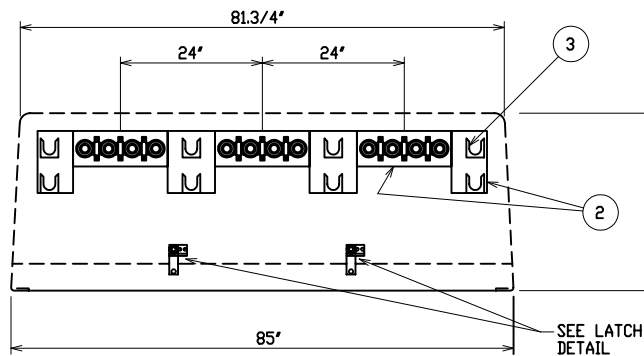


HINGE DETAIL
(TOP OPEN)

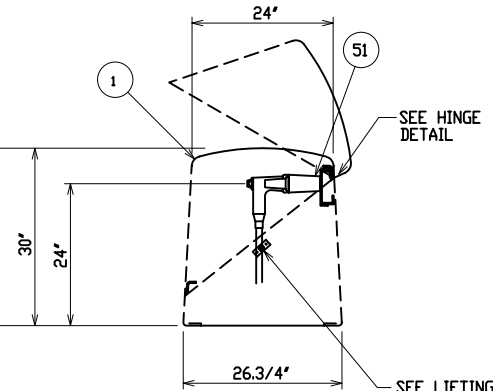


CUSTOMER PAD DETAIL

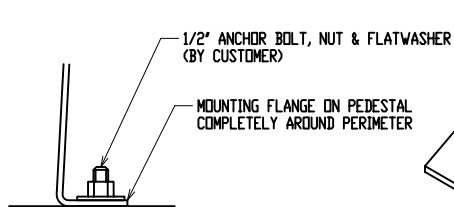
ANCHOR BOLTS TO BE 1/2" DIA. AND TO EXTEND 1-1/2" MINIMUM ABOVE PAD



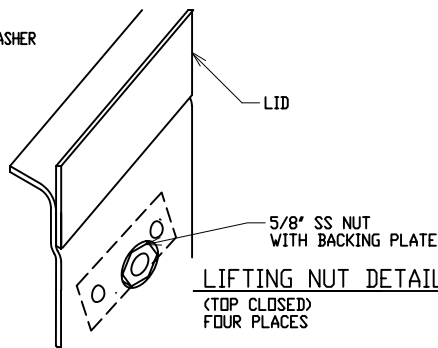
FRONT VIEW



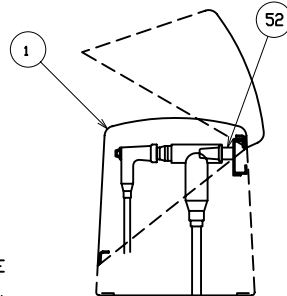
END VIEW



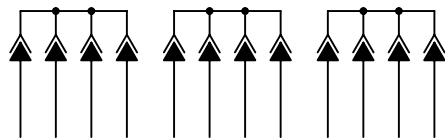
PEDESTAL MTG. DETAIL



LIFTING NUT DETAIL
(TOP CLOSED)
FOUR PLACES



ALTERNATE END VIEW
WITH 600 AMP JUNCTION



SCHEMATIC

| MATERIAL LIST - STANDARD UNIT | |
|-------------------------------|---|
| ITEM | DESCRIPTION |
| 1 | POWER DESIGN INC MODEL NO CJPF-84-30-L2-MG FIBERGLASS CABLE JUNCTION PEDESTAL - MUNSELL GREEN |
| 2 | ALUMINUM JUNCTION MOUNTING BARS AND PARKING CLIP MOUNTING BARS |
| 3 | STAINLESS STEEL PARKING CLIPS |

| OPTIONAL EQUIPMENT | |
|--------------------|--|
| 51 | 200 AMP LOADBREAK JUNCTION - 15/25KV - 95/125KV BIL - SPECIFY VOLTAGE & 2, 3, OR 4-WAY |
| 52 | 600 AMP DEADBREAK JUNCTION - 15/25KV - 95/125KV BIL - SPECIFY VOLTAGE & 2, 3, OR 4-WAY |

NOTE:

1. MATERIAL:

- 1) FIBERGLASS LAMINATE 1/4" NOMINAL THICKNESS
- 2) EXTERIOR UV STABILIZED GELCOAT - 14 MIL NOMINAL THICKNESS - WHITE INTERIOR
- 3) FIRE RETARDANT - DOES NOT SUPPORT COMBUSTION
- 4) STAINLESS STEEL HARDWARE

- 2. MOUNTING BAR WILL WITHSTAND A MINIMUM 400 LB. LOADING TO INSTALL OR REMOVE ELBOWS.

CATALOG NO: CJPF-84-30-L2-MG-2007-R1

DEADFRONT CABLE JUNCTION PEDESTAL

15/25KV 200 AMP 95/125KV BIL
THREE PHASE 2, 3 OR 4-WAY LOADBREAK JUNCTIONS



| | | | |
|--------------|------|----------------|------------------------|
| DRAWN: RB | PAGE | DATE 3-3-04 | DRAWING NO. 2007-R1 |
|--------------|------|----------------|------------------------|

FILE REF: