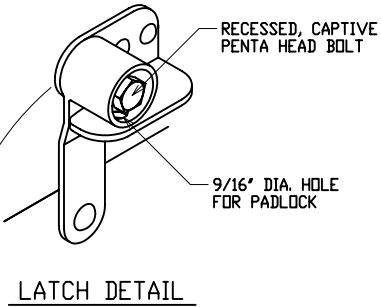
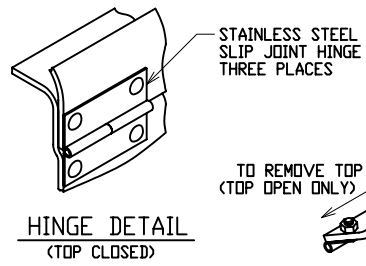


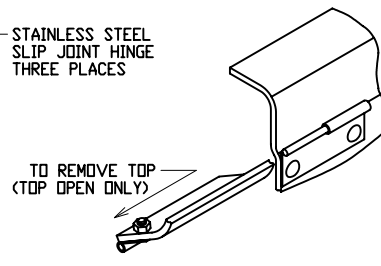
**LIFTING NUT DETAIL**  
(TOP CLOSED)  
TWO PLACES



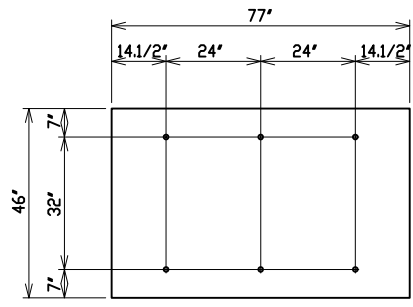
**LATCH DETAIL**



**HINGE DETAIL**  
(TOP CLOSED)

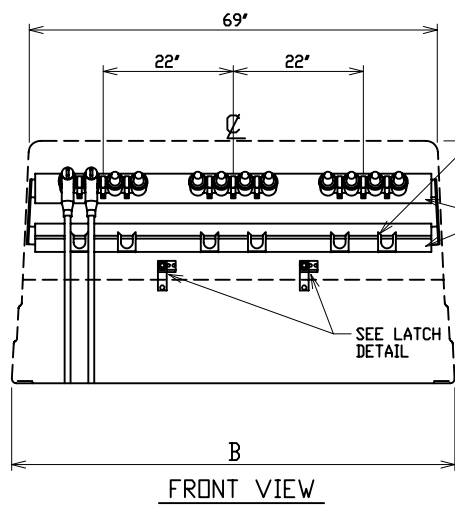


**HINGE DETAIL**  
(TOP OPEN)

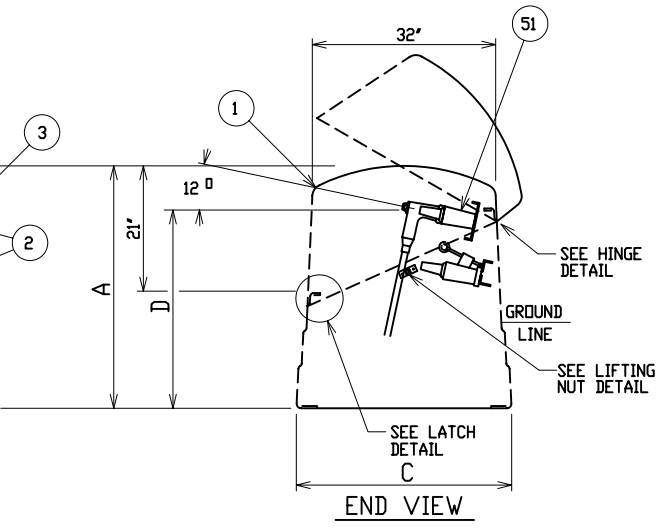


**PAD & ANCHOR BOLT DETAIL**

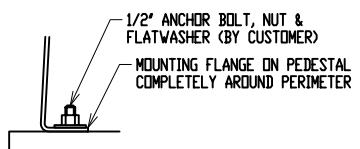
ANCHOR BOLTS TO BE 1/2" DIA. AND TO EXTEND 1-1/2" MINIMUM ABOVE PAD



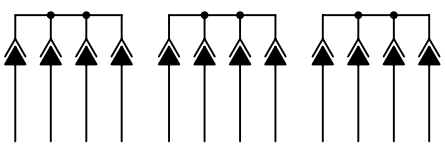
**FRONT VIEW**



**END VIEW**



**PEDESTAL MTG. DETAIL**



**SCHEMATIC**

MODEL No.	OVERALL HEIGHT	OVERALL WIDTH AT BOTTOM	OVERALL DEPTH AT BOTTOM	JUNCTION TERMINAL HEIGHT
	A	B	C	D
CJPF-41-30	30"	73.1/4"	37.1/2"	13"
CJPF-41-41	41"	75.1/2"	39.3/4"	22"

MATERIAL LIST - STANDARD UNIT	
ITEM	DESCRIPTION
1	POWER DESIGN INC MODEL NO CJPF-41 FIBERGLASS CABLE JUNCTION PEDESTAL - MUNSELL GREEN
2	ALUMINUM JUNCTION MOUNTING BAR AND PARKING CLIP MOUNTING RAILS
3	ADJUSTABLE LOCATION STAINLESS STEEL PARKING CLIPS

OPTIONAL EQUIPMENT	
51	200 AMP LOADBREAK JUNCTION - 15/25KV - 95/125KV BIL SPECIFY VOLTAGE, MANUFACTURER AND 2, 3 OR 4-WAY

**NOTE:**

**1. ORDERING INFORMATION:**

USER SHOULD SELECT "D", TERMINAL HEIGHT, DESIRED. SPECIFY "A", OVERALL HEIGHT, AS A SUFFIX TO THE BASIC PART NO. I.e., CJPF-41-30 = 30" OVERALL HEIGHT

**2. MATERIAL:**

- 1) FIBERGLASS LAMINATE 3/16" NOMINAL THICKNESS
- 2) EXTERIOR UV STABILIZED GELCOAT - 14 MIL NOMINAL THICKNESS - WHITE INTERIOR
- 3) FIRE RETARDANT - DOES NOT SUPPORT COMBUSTION
- 4) STAINLESS STEEL HARDWARE

**3. MOUNTING BAR WILL WITHSTAND A MINIMUM 400 LB. LOADING TO INSTALL OR REMOVE ELBOWS.**

**DEADFRONT CABLE JUNCTION PEDESTAL**  
15/25KV    200 AMP    95/125KV BIL  
THREE PHASE    2, 3 OR 4-WAY LOADBREAK JUNCTION



DRAWN: RB	PAGE	DATE 3-29-04	DRAWING NO. 3382-R1
--------------	------	-----------------	------------------------

FILE REF: