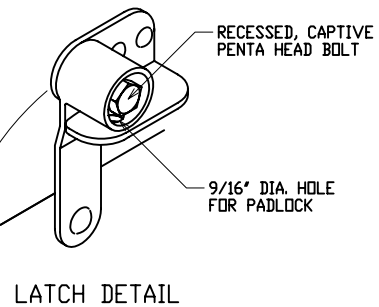
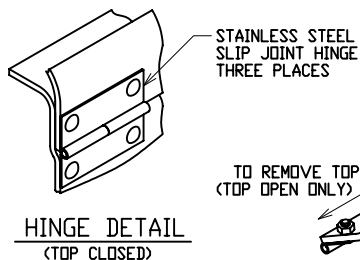


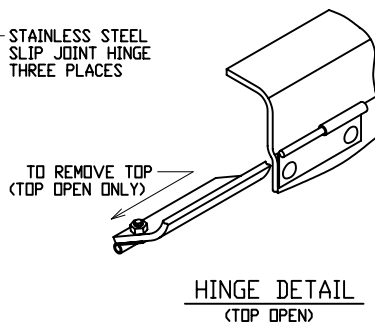
LIFTING NUT DETAIL
(TOP CLOSED)
TWO PLACES



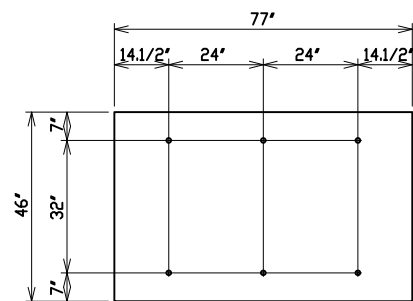
LATCH DETAIL



HINGE DETAIL
(TOP CLOSED)

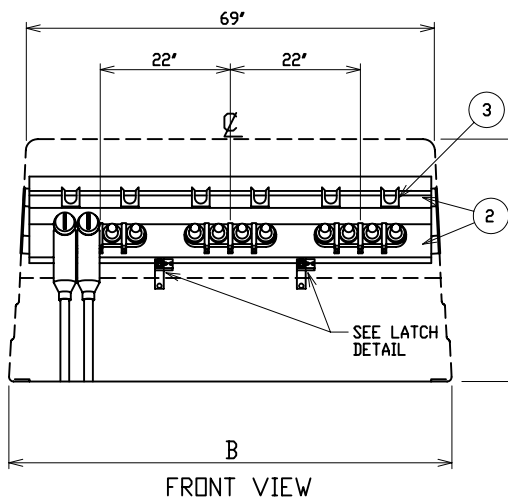


HINGE DETAIL
(TOP OPEN)

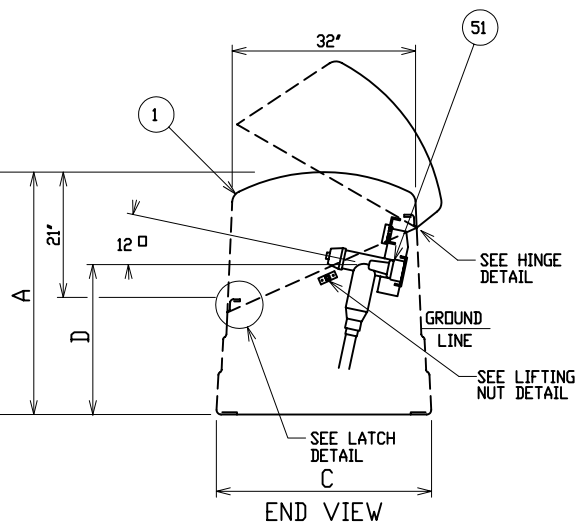


PAD & ANCHOR BOLT DETAIL

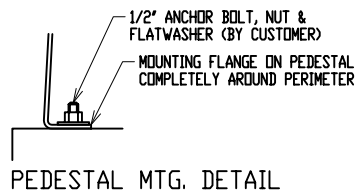
ANCHOR BOLTS TO BE 1/2" DIA. AND TO EXTEND 1-1/2" MINIMUM ABOVE PAD



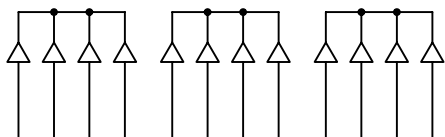
FRONT VIEW



END VIEW



PEDESTAL MTG. DETAIL



SCHEMATIC

MODEL No.	OVERALL HEIGHT	OVERALL WIDTH AT BOTTOM	OVERALL DEPTH AT BOTTOM	JUNCTION TERMINAL HEIGHT
	A	B	C	D
CJPF-40-30	30"	73.1/4"	37.1/2"	15"
CJPF-40-41	41"	75.1/2"	39.3/4"	26"

MATERIAL LIST - STANDARD UNIT	
ITEM	DESCRIPTION
1	POWER DESIGN INC MODEL NO CJPF-40 FIBERGLASS CABLE JUNCTION PEDESTAL - MUNSELL GREEN
2	ALUMINUM JUNCTION MOUNTING BAR AND PARKING CLIP MOUNTING RAILS
3	ADJUSTABLE LOCATION STAINLESS STEEL PARKING CLIPS

OPTIONAL EQUIPMENT	
51	600 AMP DEADBREAK JUNCTION - 15/25KV - 95/125KV BIL SPECIFY VOLTAGE, MANUFACTURER AND 2, 3 OR 4-WAY

NOTE:

1. ORDERING INFORMATION:

USER SHOULD SELECT 'D', TERMINAL HEIGHT, DESIRED. SPECIFY 'A', OVERALL HEIGHT, AS A SUFFIX TO THE BASIC PART NO. I.e. CJPF-40-30 = 30' OVERALL HEIGHT

2. MATERIAL:

- 1) FIBERGLASS LAMINATE 3/16" NOMINAL THICKNESS
- 2) EXTERIOR UV STABILIZED GELCOAT - 14 MIL NOMINAL THICKNESS - WHITE INTERIOR
- 3) FIRE RETARDANT - DOES NOT SUPPORT COMBUSTION
- 4) STAINLESS STEEL HARDWARE

3. MOUNTING BAR WILL WITHSTAND A MINIMUM 400 LB. LOADING TO INSTALL OR REMOVE ELBOWS.

DEADFRONT CABLE JUNCTION PEDESTAL

15/25KV 600 AMP 95/125KV BIL
THREE PHASE 2, 3 OR 4-WAY DEADBREAK JUNCTION



DRAWN: RB	PAGE	DATE 3-29-04	DRAWING NO. 3390-R1
--------------	------	-----------------	------------------------

FILE REF: