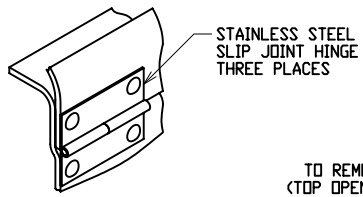
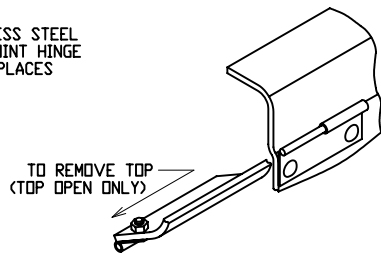


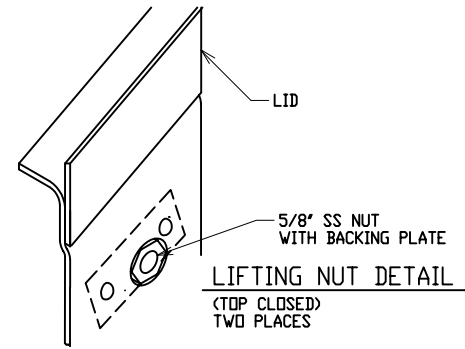
LATCH DETAIL



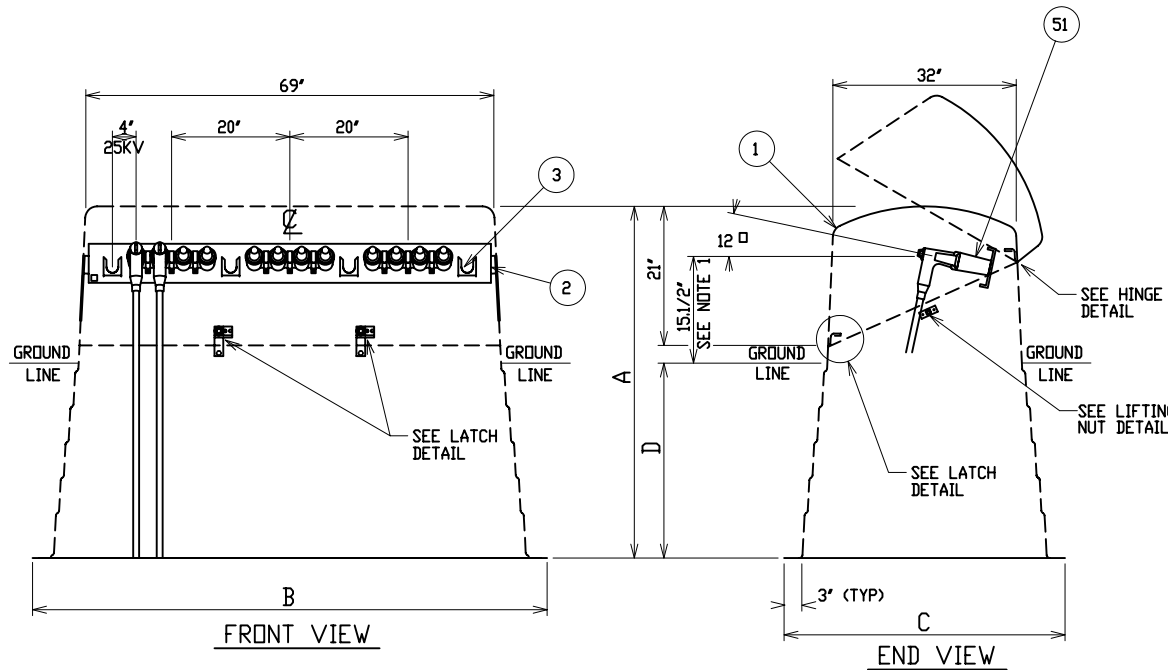
HINGE DETAIL  
(TOP CLOSED)



HINGE DETAIL  
(TOP OPEN)



LIFTING NUT DETAIL  
(TOP CLOSED)  
TWO PLACES



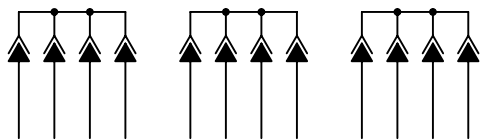
MATERIAL LIST - STANDARD UNIT	
ITEM	DESCRIPTION
1	POWER DESIGN INC MODEL NO CJP-42 FIBERGLASS CABLE JUNCTION PEDESTAL - MUNSELL GREEN
2	ALUMINUM JUNCTION MOUNTING BAR
3	STAINLESS STEEL PARKING CLIPS

OPTIONAL EQUIPMENT	
51	200 AMP LOADBREAK JUNCTION - 15/25KV - 95/125KV BIL SPECIFY VOLTAGE, MANUFACTURER AND 2,3 OR 4-WAY

**NOTE:**

- ORDERING INFORMATION:**  
USER SHOULD SELECT 'D', BURIAL DEPTH, DESIRED. SPECIFY 'A', OVERALL HEIGHT, AS A SUFFIX TO THE BASIC PART NO. I.e.; CJP-42-50 = 50" OVERALL HEIGHT  
15.1/2" TERMINAL HEIGHT MAY BE INCREASED BY DECREASING BURIAL DEPTH OR ORDERING THE NEXT SIZE GREATER 'A' DIMENSION.
- MATERIAL:**
  - FIBERGLASS LAMINATE 3/16" NOMINAL THICKNESS
  - EXTERIOR UV STABILIZED GELCOAT - 14 MIL NOMINAL THICKNESS - WHITE INTERIOR
  - FIRE RETARDANT - DOES NOT SUPPORT COMBUSTION
  - STAINLESS STEEL HARDWARE
- MOUNTING BAR WILL WITHSTAND A MINIMUM 400 LB. LOADING TO INSTALL OR REMOVE ELBOWS.

MODEL No.	OVERALL HEIGHT	OVERALL WIDTH AT BOTTOM	OVERALL DEPTH AT BOTTOM	MAXIMUM RECOMMENDED BURIAL DEPTH SEE NOTE 1
	A	B	C	D
CJP-42-41	41"	81.1/4"	46.1/4"	17"
CJP-42-50	50"	83.1/4"	48.1/4"	26"
CJP-42-56	56"	84.3/4"	49.3/4"	32"



SCHEMATIC

DEADFRONT CABLE JUNCTION PEDESTAL  
15/25KV 200 AMP 95/125KV BIL  
THREE PHASE 2,3 OR 4-WAY LOADBREAK JUNCTION



DRAWN RB	PAGE	DATE 3-29-04	DRAWING NO. 3344-R1
-------------	------	-----------------	------------------------

FILE REF: