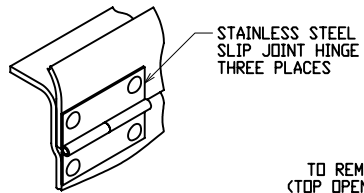
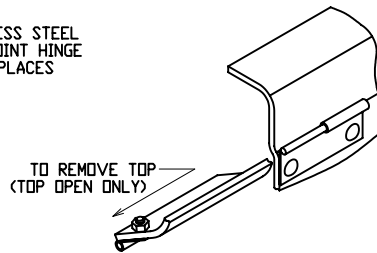


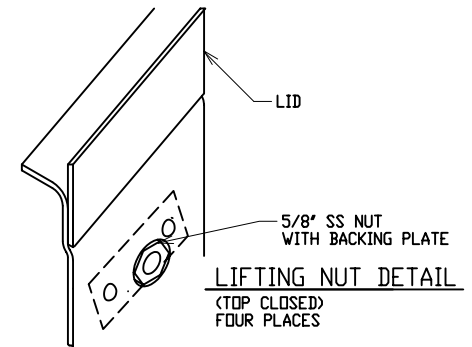
LATCH DETAIL



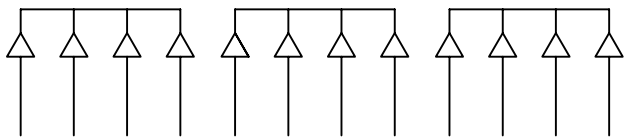
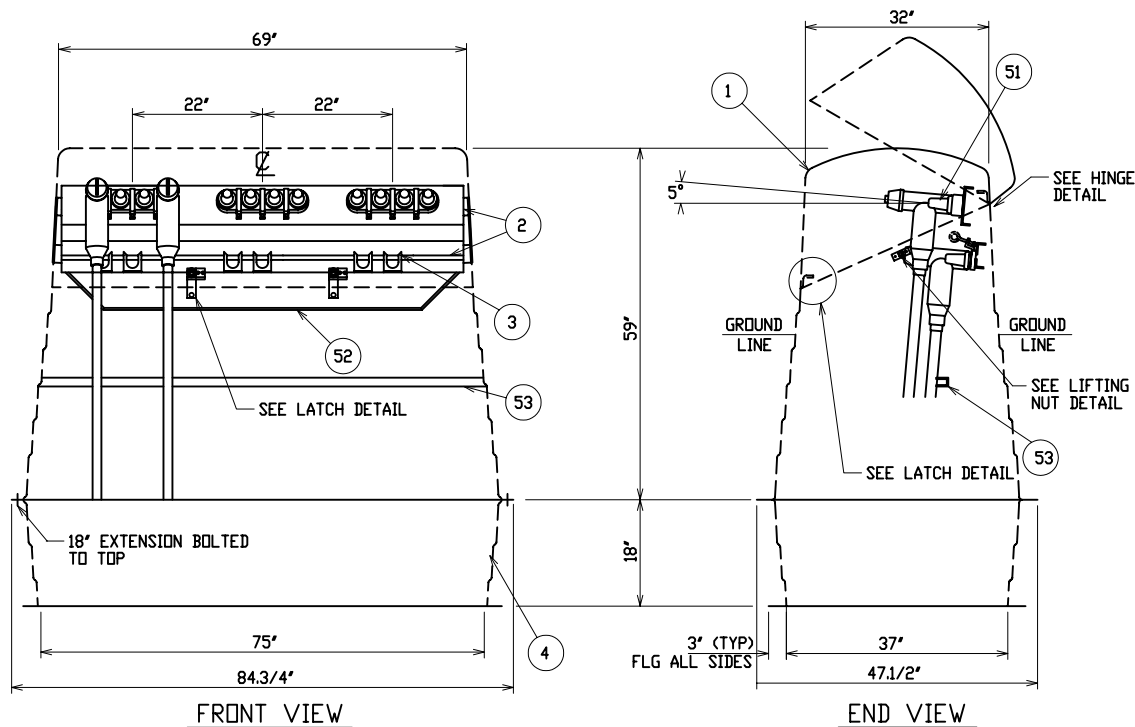
HINGE DETAIL  
(TOP CLOSED)



HINGE DETAIL  
(TOP OPEN)



LIFTING NUT DETAIL  
(TOP CLOSED)  
FOUR PLACES



**MATERIAL LIST - STANDARD UNIT**

ITEM	DESCRIPTION
1	POWER DESIGN INC MODEL NO CJP-41-56-L2-MG FIBERGLASS CABLE JUNCTION PEDESTAL - MUNSELL GREEN
2	ALUMINUM JUNCTION MOUNTING BAR AND PARKING CLIP MOUNTING RAILS
3	ADJUSTABLE LOCATION STAINLESS STEEL PARKING CLIPS
4	18" FIBERGLASS SUB-BASE MODEL NO CJP-41-18-MB-MG

**OPTIONAL EQUIPMENT**

51	600 AMP DEADBREAK JUNCTION - 35KV - 150KV BIL - ELASTIMOLD
52	3/8" GROUND BAR
53	STAINLESS STEEL UNISTRUT FOR CABLE SUPPORT - REMOVED FOR SHIPPING

**NOTE:**

- MATERIAL:**
  - FIBERGLASS LAMINATE 3/16" NOMINAL THICKNESS
  - EXTERIOR UV STABILIZED GELCOAT - 14 MIL NOMINAL THICKNESS - WHITE INTERIOR
  - FIRE RETARDANT - DOES NOT SUPPORT COMBUSTION
  - STAINLESS STEEL HARDWARE
- MOUNTING BAR WILL WITHSTAND A MINIMUM 400 LB. LOADING TO INSTALL OR REMOVE ELBOWS.
- CATALOG NO WITH OPTIONS: CJP-41-56-L2-MG-6435-GB38-CS-3397-R1

CATALOG NO: CJP-41-56-L2-MG-3397-R1

DEADFRONT CABLE JUNCTION PEDESTAL  
 35KV      600 AMP      150KV BIL  
 THREE PHASE      2, 3 OR 4-WAY ELASTIMOLD JUNCTION



DRAWN: RB	PAGE	DATE 9-17-08	DRAWING NO. 3397-R1
--------------	------	-----------------	------------------------

FILE REF: