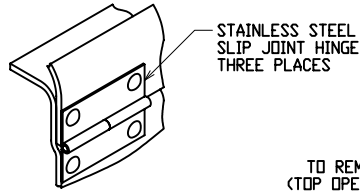
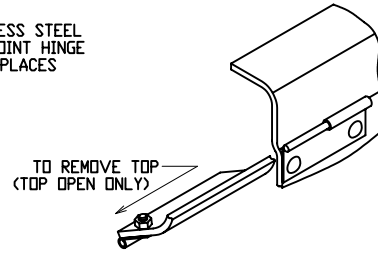


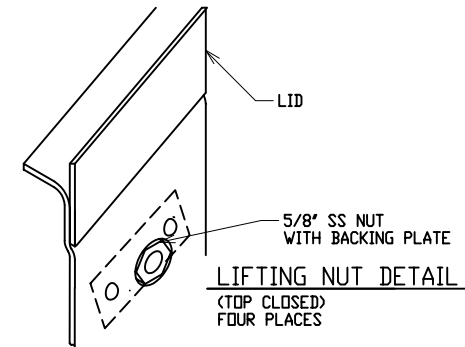
LATCH DETAIL



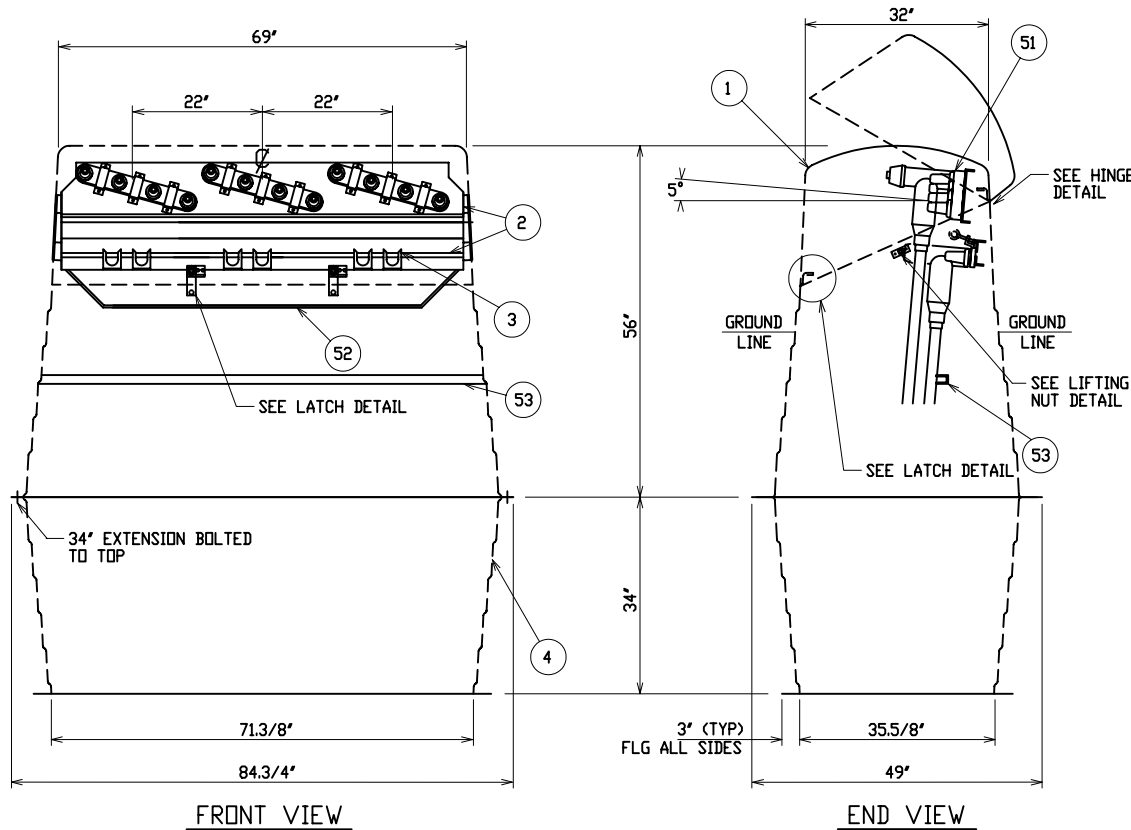
HINGE DETAIL
(TOP CLOSED)



HINGE DETAIL
(TOP OPEN)

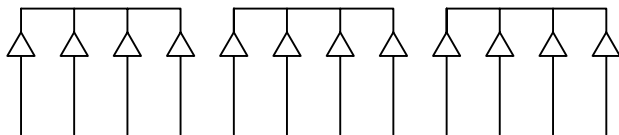


LIFTING NUT DETAIL
(TOP CLOSED)
FOUR PLACES



FRONT VIEW

END VIEW



SCHEMATIC

MATERIAL LIST - STANDARD UNIT

ITEM	DESCRIPTION
1	POWER DESIGN INC MODEL NO CJP-41-56-L2-MG FIBERGLASS CABLE JUNCTION PEDESTAL - MUNSELL GREEN
2	ALUMINUM JUNCTION MOUNTING BAR AND PARKING CLIP MOUNTING RAILS
3	ADJUSTABLE LOCATION STAINLESS STEEL PARKING CLIPS
4	34' FIBERGLASS SUB-BASE MODEL NO CJP-41-34-MB-MG

OPTIONAL EQUIPMENT

51	600 AMP DEADBREAK JUNCTION - 35KV - 150KV BIL - COOPER JUNCTIONS 2, 3 OR 4-WAY
52	3/8" GROUND BAR
53	STAINLESS STEEL UNISTRUT FOR CABLE SUPPORT - REMOVED FOR SHIPPING

NOTE:

1. MATERIAL:

- 1) FIBERGLASS LAMINATE 3/16" NOMINAL THICKNESS
- 2) EXTERIOR UV STABILIZED GELCOAT - 14 MIL NOMINAL THICKNESS - WHITE INTERIOR
- 3) FIRE RETARDANT - DOES NOT SUPPORT COMBUSTION
- 4) STAINLESS STEEL HARDWARE

2. MOUNTING BAR WILL WITHSTAND A MINIMUM 400 L.B. LOADING TO INSTALL OR REMOVE ELBOWS.

3. CATALOG NO WITH OPTIONS: CJP-41-56-L2-MG-6435-GB38-CS-3400-R1

CATALOG NO: CJP-41-56-L2-MG-3400-R1

DEADFRONT CABLE JUNCTION PEDESTAL

35KV 600 AMP 150KV BIL
THREE PHASE 2, 3 OR 4-WAY COOPER JUNCTION



DRAWN: RB	PAGE	DATE 9-16-08	DRAWING NO. 3400-R1
--------------	------	-----------------	------------------------

FILE REF: