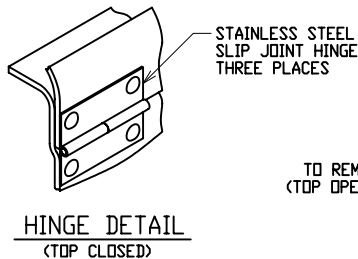
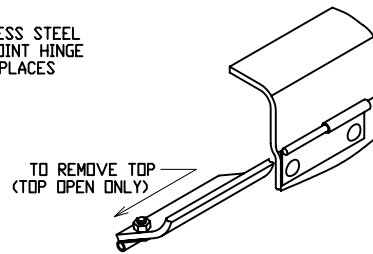


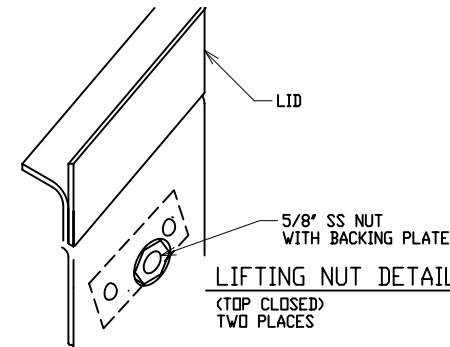
LATCH DETAIL



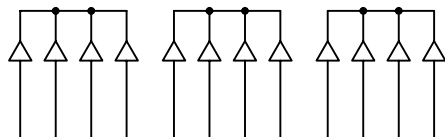
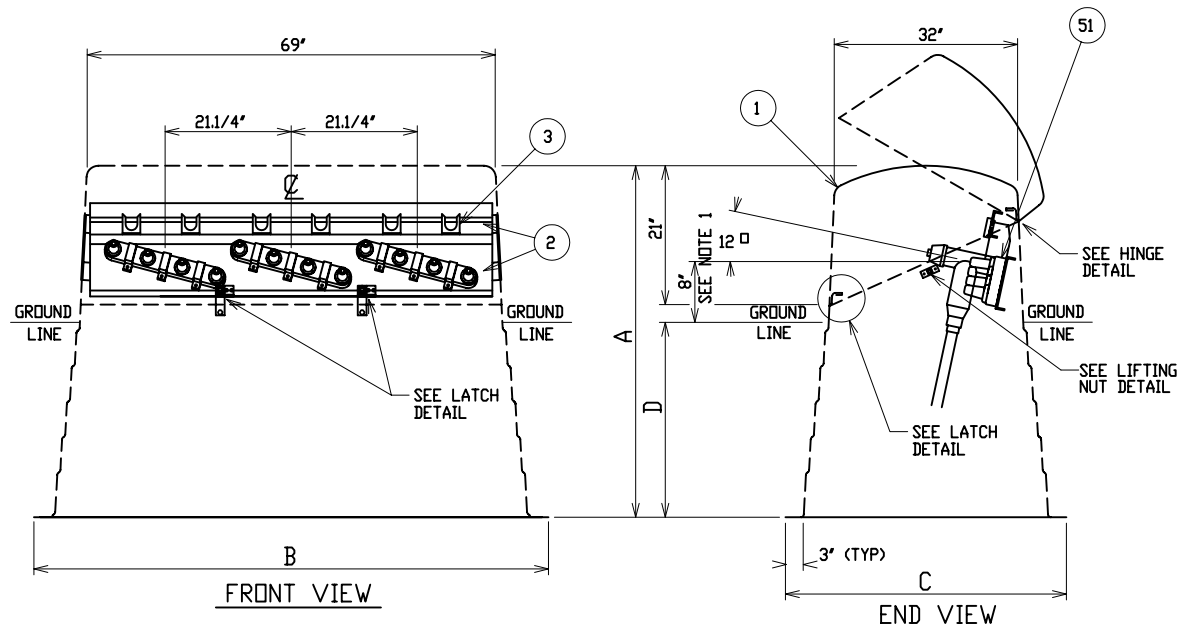
HINGE DETAIL  
(TOP CLOSED)



HINGE DETAIL  
(TOP OPEN)



LIFTING NUT DETAIL  
(TOP CLOSED)  
TWO PLACES



SCHEMATIC

MODEL No.	OVERALL HEIGHT	OVERALL WIDTH AT BOTTOM	OVERALL DEPTH AT BOTTOM	MAXIMUM RECOMMENDED BURIAL DEPTH SEE NOTE 1
	A	B	C	D
CJP-40-41	41"	81.1/4"	46.1/4"	17"
CJP-40-50	50"	83.1/4"	48.1/4"	26"
CJP-40-56	56"	84.3/4"	49.3/4"	32"

MATERIAL LIST - STANDARD UNIT

ITEM	DESCRIPTION
1	POWER DESIGN INC MODEL NO CJP-40 FIBERGLASS CABLE JUNCTION PEDESTAL
2	ALUMINUM JUNCTION MOUNTING BAR AND PARKING CLIP MOUNTING RAILS
3	ADJUSTABLE LOCATION STAINLESS STEEL PARKING CLIPS

OPTIONAL EQUIPMENT

51	600 AMP DEADBREAK JUNCTION - 35KV - 150KV BIL- SPECIFY MANUFACTURER AND 2, 3, OR 4-WAY
----	--

NOTE:

1. ORDERING INFORMATION:

USER SHOULD SELECT 'D', BURIAL DEPTH, DESIRED.  
SPECIFY 'A', OVERALL HEIGHT, AS A SUFFIX TO THE BASIC PART NO.  
i.e., CJP-40-50 = 50" OVERALL HEIGHT  
8" TERMINAL HEIGHT MAY BE INCREASED BY DECREASING BURIAL DEPTH OR ORDERING THE NEXT SIZE GREATER 'A' DIMENSION.

2. MATERIAL:

- 1) FIBERGLASS LAMINATE 3/16" NOMINAL THICKNESS
- 2) EXTERIOR UV STABILIZED GELCOAT - 14 MIL NOMINAL THICKNESS - WHITE INTERIOR
- 3) FIRE RETARDANT - DOES NOT SUPPORT COMBUSTION
- 4) STAINLESS STEEL HARDWARE

3. MOUNTING BAR WILL WITHSTAND A MINIMUM 400 LB. LOADING TO INSTALL OR REMOVE ELBOWS.

4. EQUIPMENT SHOWN IS THE LARGEST INTERFACE THREE PHASE RATED. CLEARANCES MAY BE INCREASED WITH OTHER MANUFACTURER'S EQUIPMENT

DEADFRONT CABLE JUNCTION PEDESTAL

35KV 600 AMP 150KV BIL  
THREE PHASE 2, 3, OR 4-WAY DEADBREAK JUNCTION



DRAWN: RB	PAGE	DATE 3-29-04	DRAWING NO. 3368-R1
--------------	------	-----------------	------------------------

FILE REF: