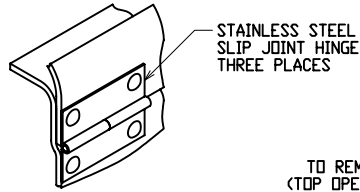
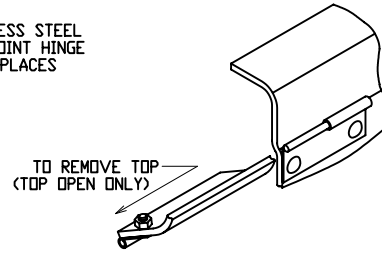


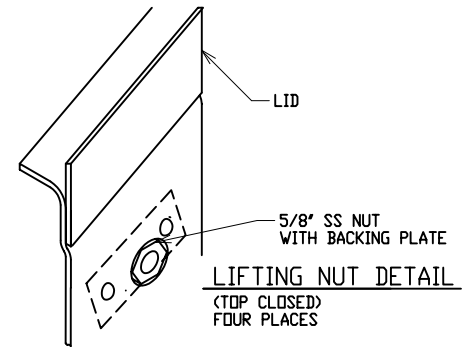
LATCH DETAIL



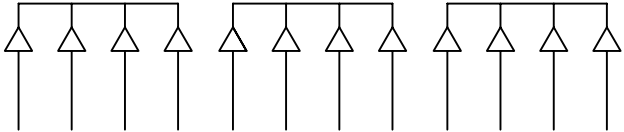
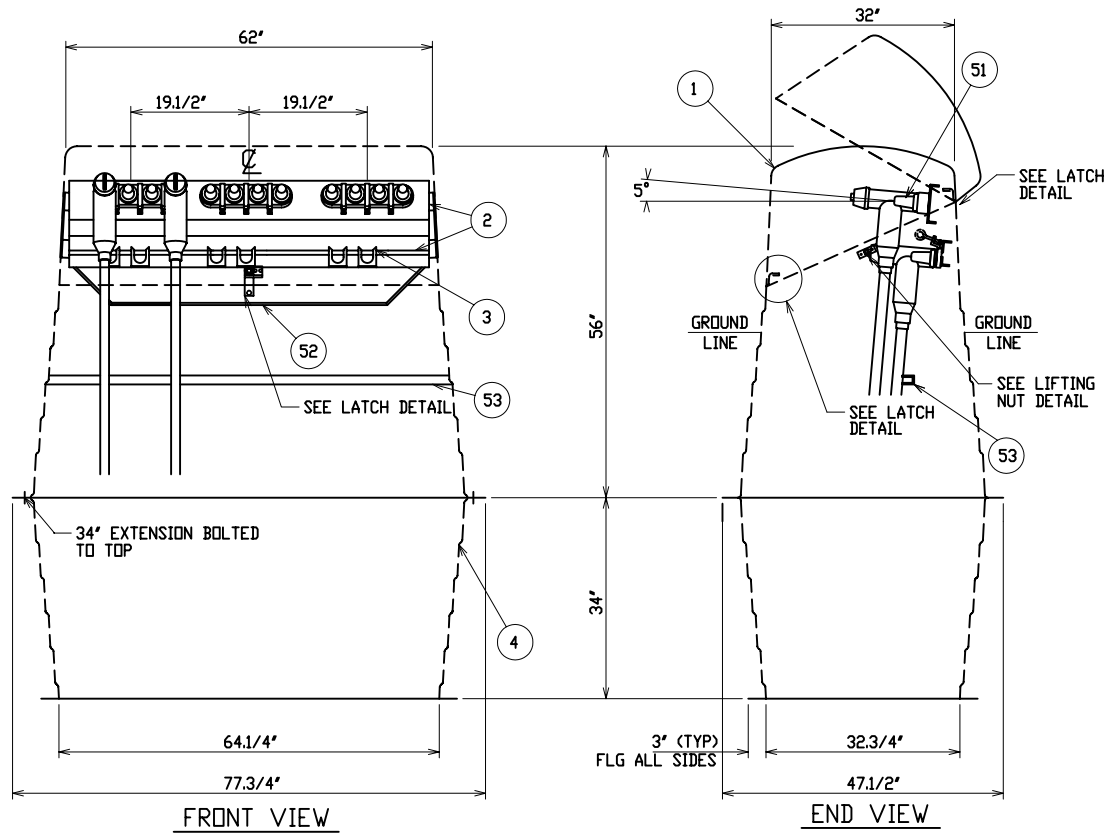
HINGE DETAIL (TOP CLOSED)



HINGE DETAIL (TOP OPEN)



LIFTING NUT DETAIL (TOP CLOSED) FOUR PLACES



MATERIAL LIST - STANDARD UNIT	
ITEM	DESCRIPTION
1	POWER DESIGN INC MODEL NO CJP-35/B-56-L2-MG FIBERGLASS CABLE JUNCTION PEDESTAL - MUNSELL GREEN
2	ALUMINUM JUNCTION MOUNTING BAR AND PARKING CLIP MOUNTING RAILS
3	ADJUSTABLE LOCATION STAINLESS STEEL PARKING CLIPS
4	34' FIBERGLASS SUB-BASE MODEL NO CJP-35-34-MB-MG

OPTIONAL EQUIPMENT	
51	600 AMP DEADBREAK JUNCTION - 35KV - 150KV BIL - ELASTIMOLD JUNCTIONS 2,3 OR 4-WAY
52	3/8" GROUND BAR
53	STAINLESS STEEL UNISTRUT FOR CABLE SUPPORT - REMOVED FOR SHIPPING

NOTE:

1. MATERIAL:

- 1) FIBERGLASS LAMINATE 3/16" NOMINAL THICKNESS
- 2) EXTERIOR UV STABILIZED GELCOAT - 14 MIL NOMINAL THICKNESS - WHITE INTERIOR
- 3) FIRE RETARDANT - DOES NOT SUPPORT COMBUSTION
- 4) STAINLESS STEEL HARDWARE

2. MOUNTING BAR WILL WITHSTAND A MINIMUM 400 LB. LOADING TO INSTALL OR REMOVE ELBOWS.

3. CATALOG NO WITH OPTIONS: CJP-35/B-56-L2-MG-6335-GB38-CS-3395-R1

CATALOG NO: CJP-35/B-56-L2-MG-3395-R1

DEADFRONT CABLE JUNCTION PEDESTAL

35KV 600 AMP 150KV BIL

THREE PHASE 2, 3 OR 4-WAY ELASTIMOLD JUNCTION



DRAWN: RB	PAGE	DATE: 9-17-08	DRAWING NO: 3395-R1
-----------	------	---------------	---------------------

FILE REF: