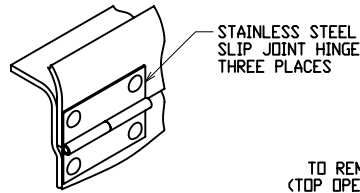
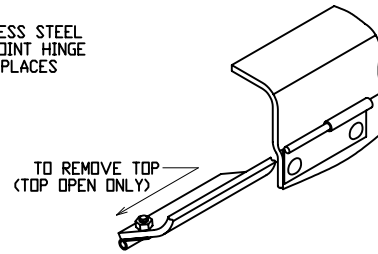


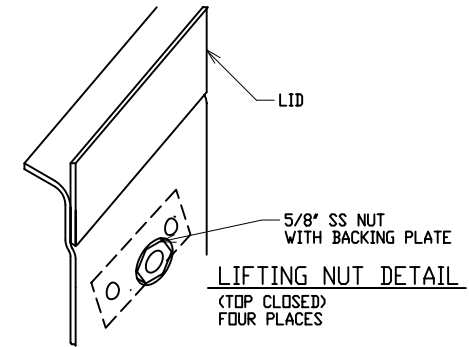
LATCH DETAIL



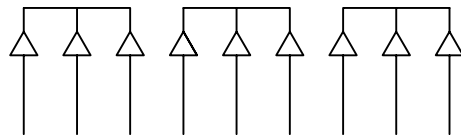
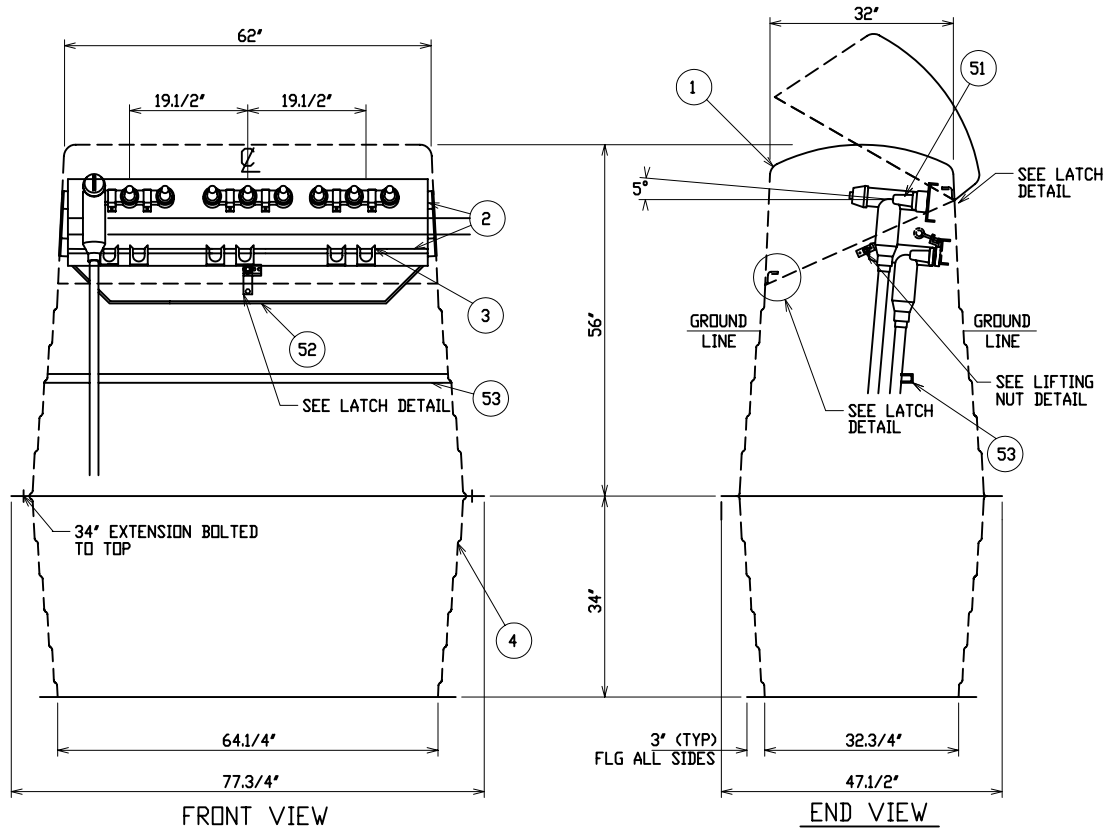
HINGE DETAIL
(TOP CLOSED)



HINGE DETAIL
(TOP OPEN)



LIFTING NUT DETAIL
(TOP CLOSED)
FOUR PLACES



SCHEMATIC

MATERIAL LIST - STANDARD UNIT

ITEM	DESCRIPTION
1	POWER DESIGN INC MODEL NO CJP-35/B-56-L2-MG FIBERGLASS CABLE JUNCTION PEDESTAL - MUNSELL GREEN
2	ALUMINUM JUNCTION MOUNTING BAR AND PARKING CLIP MOUNTING RAILS
3	ADJUSTABLE LOCATION STAINLESS STEEL PARKING CLIPS
4	34' FIBERGLASS SUB-BASE MODEL NO CJP-35-34-MB-MG
OPTIONAL EQUIPMENT	
51	600 AMP DEADBREAK JUNCTION - 35KV - 150KV BIL - COOPER JUNCTIONS 2 OR 3-WAY
52	3/8" GROUND BAR
53	STAINLESS STEEL UNISTRUT FOR CABLE SUPPORT - REMOVED FOR SHIPPING

NOTE:

- MATERIAL:
 - FIBERGLASS LAMINATE 3/16" NOMINAL THICKNESS
 - EXTERIOR UV STABILIZED GELCOAT - 14 MIL NOMINAL THICKNESS - WHITE INTERIOR
 - FIRE RETARDANT - DOES NOT SUPPORT COMBUSTION
 - STAINLESS STEEL HARDWARE
- MOUNTING BAR WILL WITHSTAND A MINIMUM 400 LB. LOADING TO INSTALL OR REMOVE ELBOWS.
- CATALOG NO WITH OPTIONS: CJP-35/B-56-L2-MG-6335-GB38-CS-3396-R1

CATALOG NO: CJP-35/B-56-L2-MG-3396-R1

DEADFRONT CABLE JUNCTION PEDESTAL

35KV 600 AMP 150KV BIL

THREE PHASE

2 OR 3-WAY COOPER JUNCTION



DRAWN:
RB

PAGE

DATE
9-17-08

DRAWING NO.
3396-R1

FILE REF: