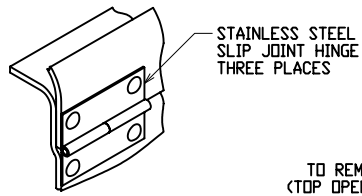
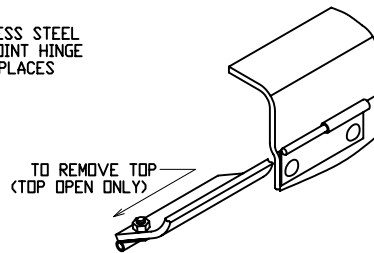


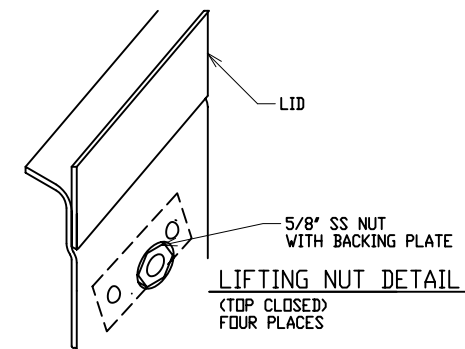
LATCH DETAIL



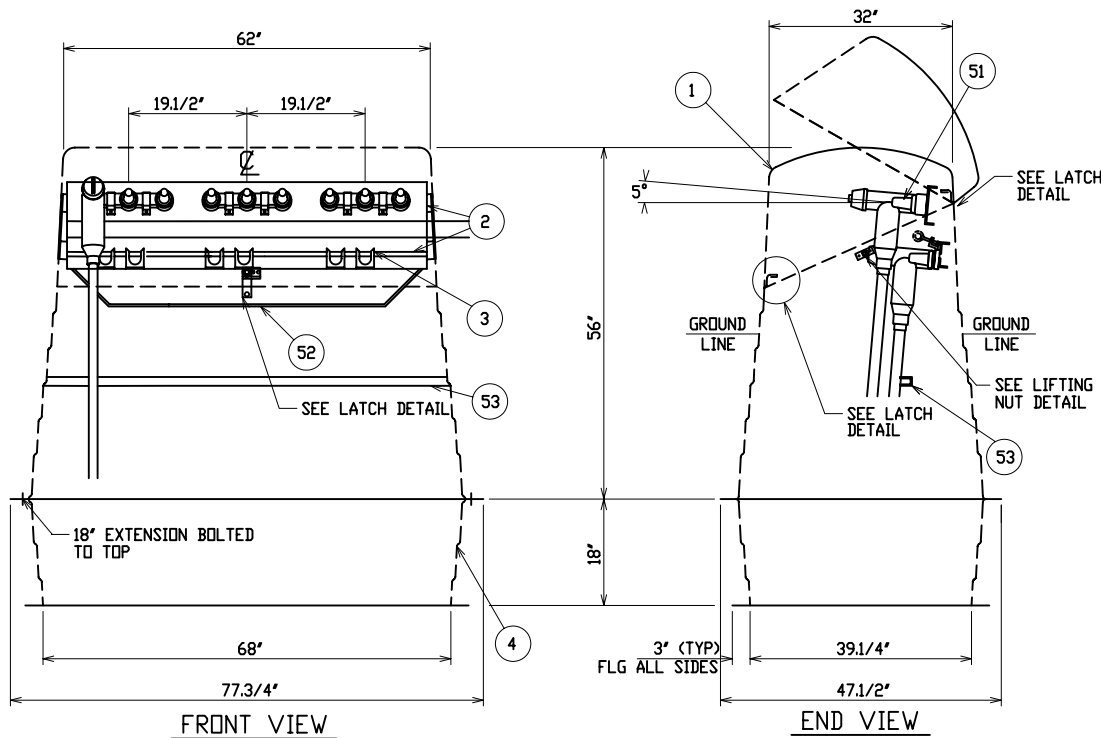
HINGE DETAIL  
(TOP CLOSED)



HINGE DETAIL  
(TOP OPEN)

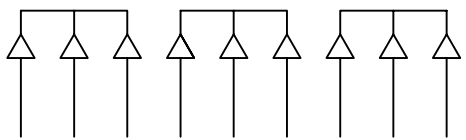


LIFTING NUT DETAIL  
(TOP CLOSED)  
FOUR PLACES



FRONT VIEW

END VIEW



SCHEMATIC

MATERIAL LIST - STANDARD UNIT

ITEM	DESCRIPTION
1	POWER DESIGN INC MODEL NO CJP-35/B-56-L2-MG FIBERGLASS CABLE JUNCTION PEDESTAL - MUNSELL GREEN
2	ALUMINUM JUNCTION MOUNTING BAR AND PARKING CLIP MOUNTING RAILS
3	ADJUSTABLE LOCATION STAINLESS STEEL PARKING CLIPS
4	18' FIBERGLASS SUB-BASE MODEL NO CJP-35-18-MB-MG
OPTIONAL EQUIPMENT	
51	600 AMP DEADBREAK JUNCTION - 35KV - 150KV BIL - COOPER JUNCTIONS 2 OR 3-WAY
52	3/8" GROUND BAR
53	STAINLESS STEEL UNISTRUT FOR CABLE SUPPORT - REMOVED FOR SHIPPING

NOTE:

- MATERIAL:
  - FIBERGLASS LAMINATE 3/16" NOMINAL THICKNESS
  - EXTERIOR UV STABILIZED GELCOAT - 14 MIL NOMINAL THICKNESS - WHITE INTERIOR
  - FIRE RETARDANT - DOES NOT SUPPORT COMBUSTION
  - STAINLESS STEEL HARDWARE
- MOUNTING BAR WILL WITHSTAND A MINIMUM 400 LB. LOADING TO INSTALL OR REMOVE ELBOWS.
- CATALOG NO WITH OPTIONS: CJP-35/B-56-L2-MG-6335-GB38-CS-3394-R1

CATALOG NO: CJP-35/B-56-L2-MG-3394-R1

DEADFRONT CABLE JUNCTION PEDESTAL

35KV      600 AMP      150KV BIL  
THREE PHASE      2 OR 3-WAY COOPER JUNCTION



DRAWN: RB	PAGE	DATE 9-17-08	DRAWING NO. 3394-R1
--------------	------	-----------------	------------------------

FILE REF: