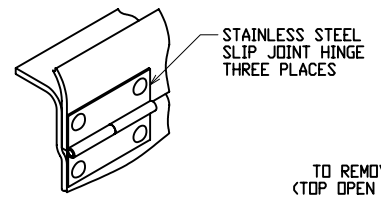
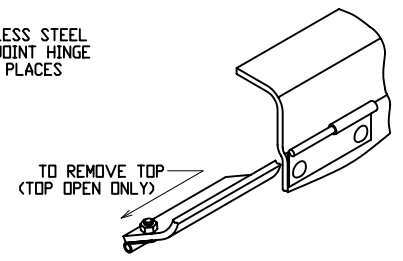


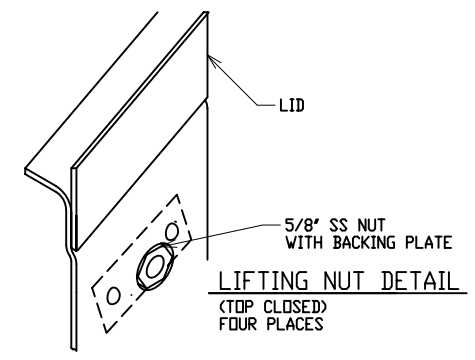
LATCH DETAIL



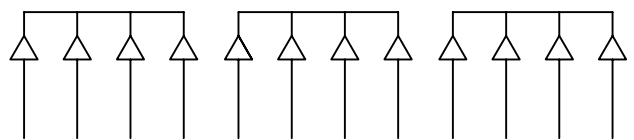
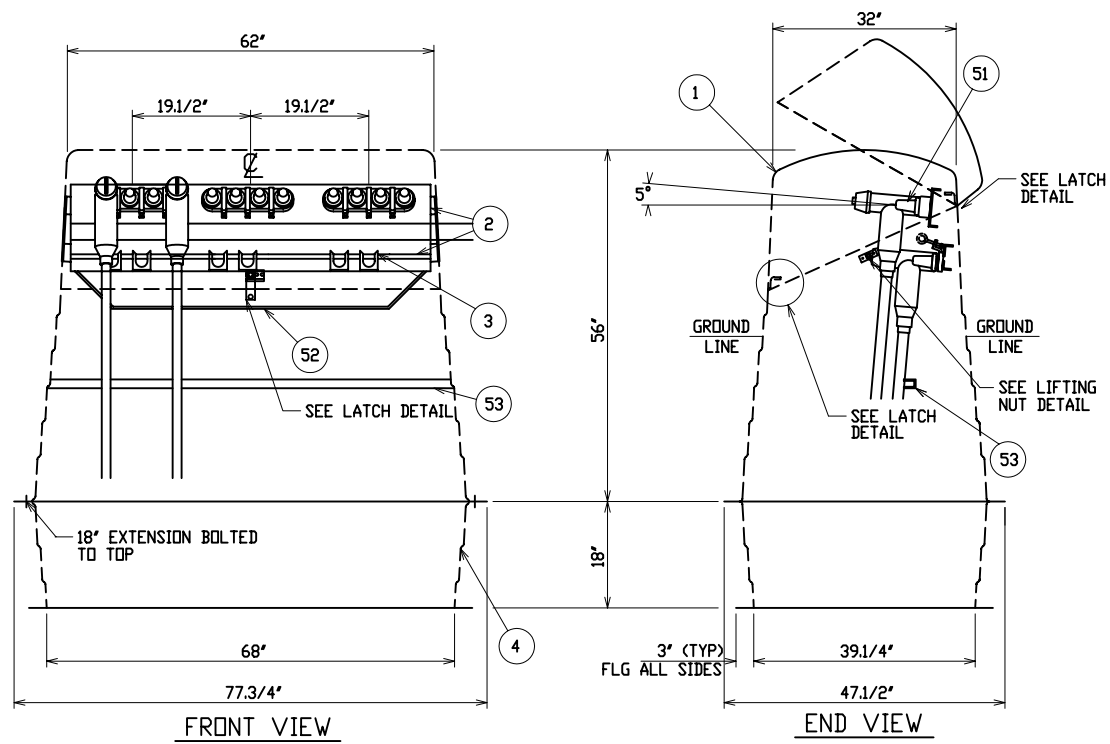
HINGE DETAIL (TOP CLOSED)



HINGE DETAIL (TOP OPEN)



LIFTING NUT DETAIL (TOP CLOSED) FOUR PLACES



MATERIAL LIST - STANDARD UNIT

ITEM	DESCRIPTION
1	POWER DESIGN INC MODEL NO CJP-35/B-56-L2-MG FIBERGLASS CABLE JUNCTION PEDESTAL - MUNSELL GREEN
2	ALUMINUM JUNCTION MOUNTING BAR AND PARKING CLIP MOUNTING RAILS
3	ADJUSTABLE LOCATION STAINLESS STEEL PARKING CLIPS
4	18" FIBERGLASS SUB-BASE MODEL NO CJP-35-18-MB-MG
OPTIONAL EQUIPMENT	
51	600 AMP DEADBREAK JUNCTION - 35KV - 150KV BIL - ELASTIMOLD JUNCTIONS 2,3 OR 4-WAY
52	3/8" GROUND BAR
53	STAINLESS STEEL UNISTRUT FOR CABLE SUPPORT - REMOVED FOR SHIPPING

NOTE:

- MATERIAL:**
 - FIBERGLASS LAMINATE 3/16" NOMINAL THICKNESS
 - EXTERIOR UV STABILIZED GELCOAT - 14 MIL NOMINAL THICKNESS - WHITE INTERIOR
 - FIRE RETARDANT - DOES NOT SUPPORT COMBUSTION
 - STAINLESS STEEL HARDWARE
- MOUNTING BAR WILL WITHSTAND A MINIMUM 400 LB. LOADING TO INSTALL OR REMOVE ELBOWS.
- CATALOG NO WITH OPTIONS: CJP-35/B-56-L2-MG-6335-GB38-CS-3393-R1

CATALOG NO: CJP-35/B-56-L2-MG-3393-R1

DEADFRONT CABLE JUNCTION PEDESTAL

35KV 600 AMP 150KV BIL
 THREE PHASE 2, 3 OR 4-WAY ELASTIMOLD JUNCTION



DRAWN: RB	PAGE	DATE 9-17-08	DRAWING NO. 3393-R1
--------------	------	-----------------	------------------------

FILE REF: