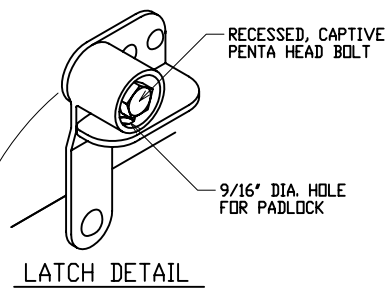
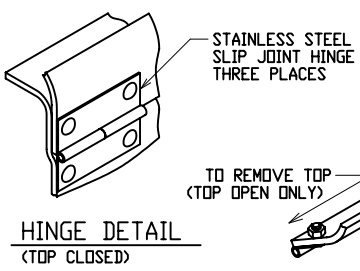


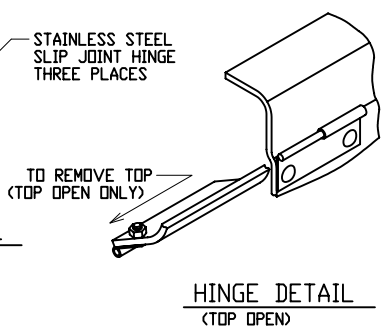
OPTIONAL JUNCTION MOUNTING DETAIL



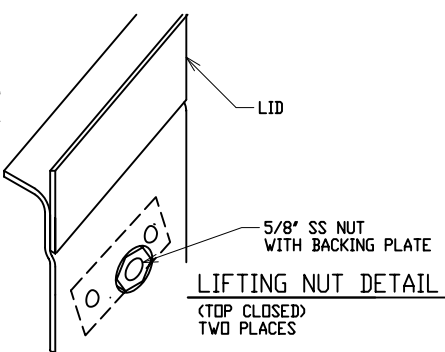
LATCH DETAIL



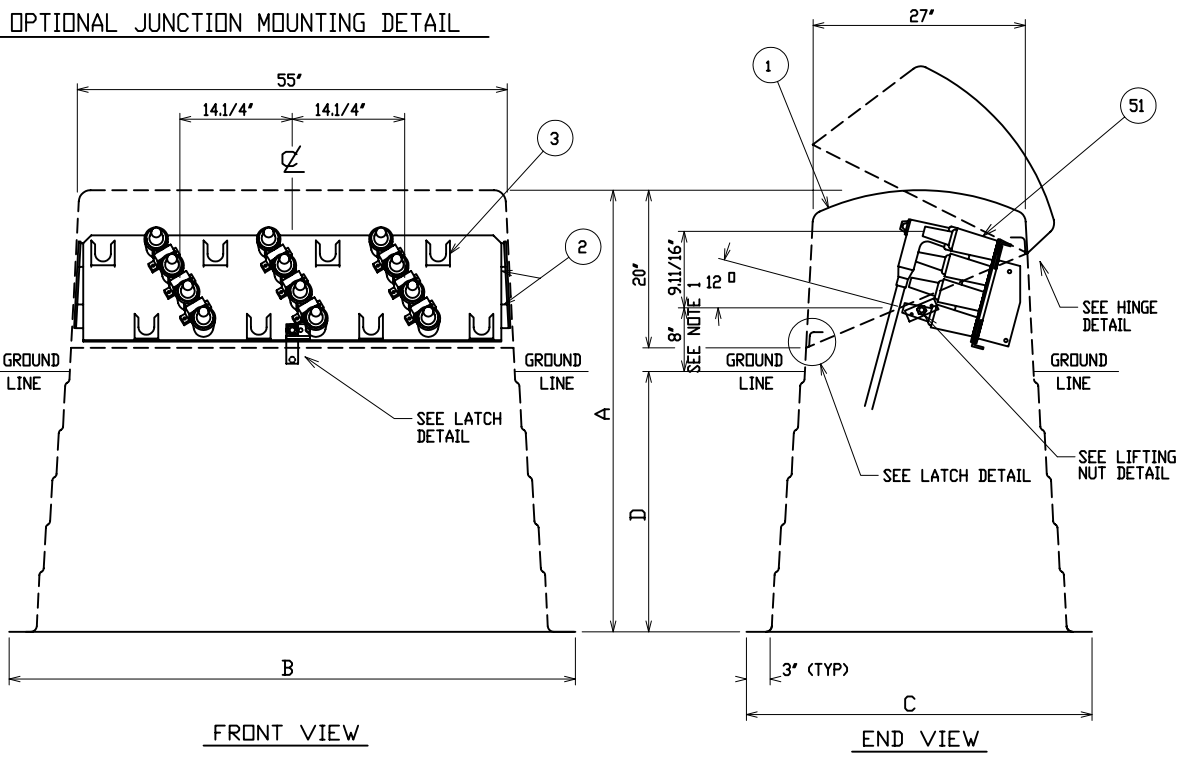
HINGE DETAIL (TOP CLOSED)



HINGE DETAIL (TOP OPEN)



LIFTING NUT DETAIL (TOP CLOSED) TWO PLACES



FRONT VIEW

END VIEW

MATERIAL LIST - STANDARD UNIT	
ITEM	DESCRIPTION
1	POWER DESIGN INC MODEL NO CJP-33 FIBERGLASS CABLE JUNCTION PEDESTAL - MUNSELL GREEN
2	ALUMINUM JUNCTION MOUNTING BAR AND MOUNTING CLIPS
3	STAINLESS STEEL PARKING CLIPS

OPTIONAL EQUIPMENT	
51	200 AMP LOADBREAK JUNCTION - 15KV - 95KV BIL- SPECIFY MANUFACTURER AND 2, 3, OR 4-WAY
52	STAINLESS STEEL U-STRAP MOUNTING CLAMP

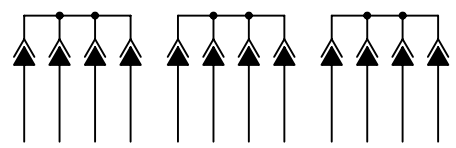
NOTE:

1. ORDERING INFORMATION:  
 USER SHOULD SELECT 'D', BURIAL DEPTH, DESIRED. SPECIFY 'A', OVERALL HEIGHT, AS A SUFFIX TO THE BASIC PART NO. I.e.; CJP-33-50 = 50" OVERALL HEIGHT  
 8" TERMINAL HEIGHT MAY BE INCREASED BY DECREASING BURIAL DEPTH OR ORDERING THE NEXT SIZE GREATER 'A' DIMENSION.

2. MATERIAL:  
 1) FIBERGLASS LAMINATE 3/16" NOMINAL THICKNESS  
 2) EXTERIOR UV STABILIZED GELCOAT - 14 MIL NOMINAL THICKNESS - WHITE INTERIOR  
 3) FIRE RETARDANT - DOES NOT SUPPORT COMBUSTION  
 4) STAINLESS STEEL HARDWARE

3. MOUNTING BAR WILL WITHSTAND A MINIMUM 400 LB. LOADING TO INSTALL OR REMOVE ELBOWS.

MODEL No.	OVERALL HEIGHT	OVERALL WIDTH AT BOTTOM	OVERALL DEPTH AT BOTTOM	MAXIMUM RECOMMENDED BURIAL DEPTH SEE NOTE 1
	A	B	C	D
CJP-33-41	41"	66.3/4"	40.3/4"	19"
CJP-33-50	50"	68.3/4"	42.3/4"	28"
CJP-33-56	56"	69.1/4"	43.1/4"	34"



SCHEMATIC

DEADFRONT CABLE JUNCTION PEDESTAL

15KV      200 AMP      95KV BIL

THREE PHASE      2, 3, OR 4-WAY LOADBREAK JUNCTION



DRAWN: RB	PAGE	DATE 3-29-04	DRAWING NO. 3330-R1
--------------	------	-----------------	------------------------

FILE REF: