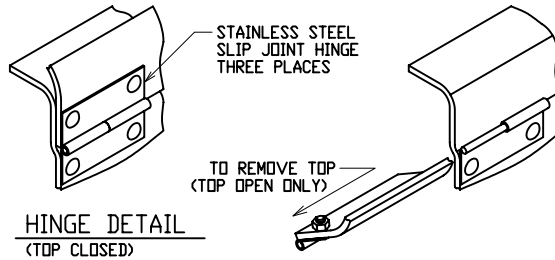
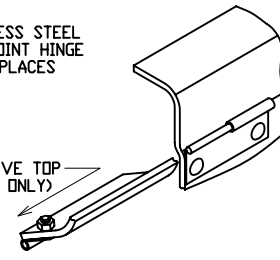


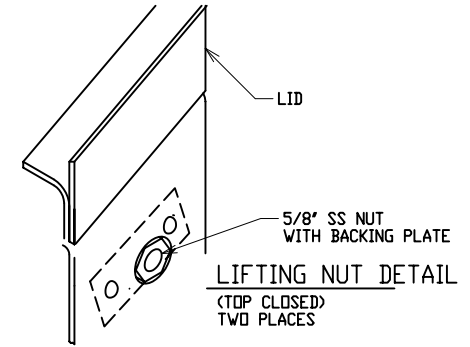
LATCH DETAIL



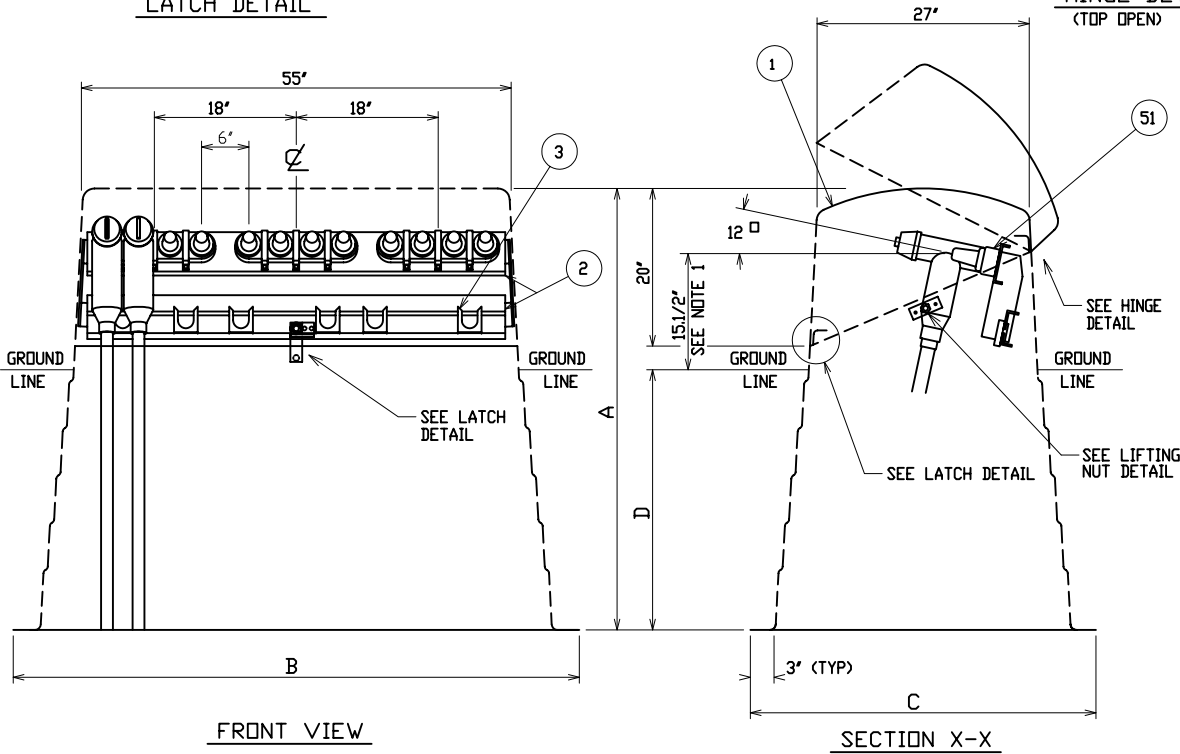
HINGE DETAIL
(TOP CLOSED)



HINGE DETAIL
(TOP OPEN)

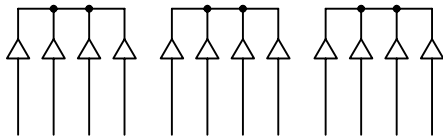


LIFTING NUT DETAIL
(TOP CLOSED)
TWO PLACES



FRONT VIEW

SECTION X-X



SCHEMATIC

| MODEL No. | OVERALL HEIGHT | OVERALL WIDTH AT BOTTOM | OVERALL DEPTH AT BOTTOM | MAXIMUM RECOMMENDED BURIAL DEPTH SEE NOTE 1 |
|-----------|----------------|-------------------------|-------------------------|---|
| | A | B | C | D |
| CJP-31-41 | 41" | 66.3/4" | 40.3/4" | 19" |
| CJP-31-50 | 50" | 68.3/4" | 42.3/4" | 28" |
| CJP-31-56 | 56" | 69.1/4" | 43.1/4" | 34" |

MATERIAL LIST - STANDARD UNIT

| ITEM | DESCRIPTION |
|------|---|
| 1 | POWER DESIGN INC MODEL NO CJP-31 FIBERGLASS CABLE JUNCTION PEDESTAL |
| 2 | ALUMINUM JUNCTION MOUNTING BAR AND PARKING CLIP MOUNTING RAILS |
| 3 | ADJUSTABLE LOCATION STAINLESS STEEL PARKING CLIPS |

OPTIONAL EQUIPMENT

| | |
|----|---|
| 51 | 600 AMP DEADBREAK JUNCTION - SPECIFY MANUFACTURER, VOLTAGE AND 2, 3, OR 4-WAY |
|----|---|

NOTE:

1. ORDERING INFORMATION:

USER SHOULD SELECT 'D', BURIAL DEPTH, DESIRED.
SPECIFY 'A', OVERALL HEIGHT, AS A SUFFIX TO THE BASIC PART NO.
i.e.; CJP-31-50 = 50" OVERALL HEIGHT
15.1/2" TERMINAL HEIGHT MAY BE INCREASED BY DECREASING BURIAL DEPTH OR ORDERING THE NEXT SIZE GREATER 'A' DIMENSION.

2. MATERIAL:

- 1) FIBERGLASS LAMINATE 3/16" NOMINAL THICKNESS
- 2) EXTERIOR UV STABILIZED GELCOAT - 14 MIL NOMINAL THICKNESS - WHITE INTERIOR
- 3) FIRE RETARDANT - DOES NOT SUPPORT COMBUSTION
- 4) STAINLESS STEEL HARDWARE

3. MOUNTING BAR WILL WITHSTAND A MINIMUM 400 LB. LOADING TO INSTALL OR REMOVE ELBOWS.

DEADFRONT CABLE JUNCTION PEDESTAL

15/25KV 600 AMP 95/125KV BIL
THREE PHASE 2, 3, OR 4-WAY DEADBREAK JUNCTION



| | | | |
|--------------|------|-----------------|------------------------|
| DRAWN: RB | PAGE | DATE 3-29-04 | DRAWING NO. 3351-R1 |
|--------------|------|-----------------|------------------------|

FILE REF: