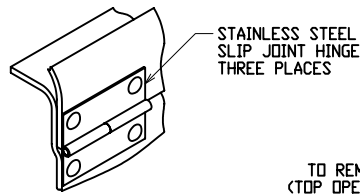
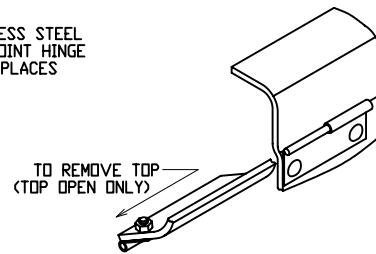


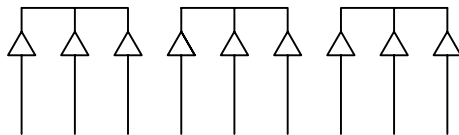
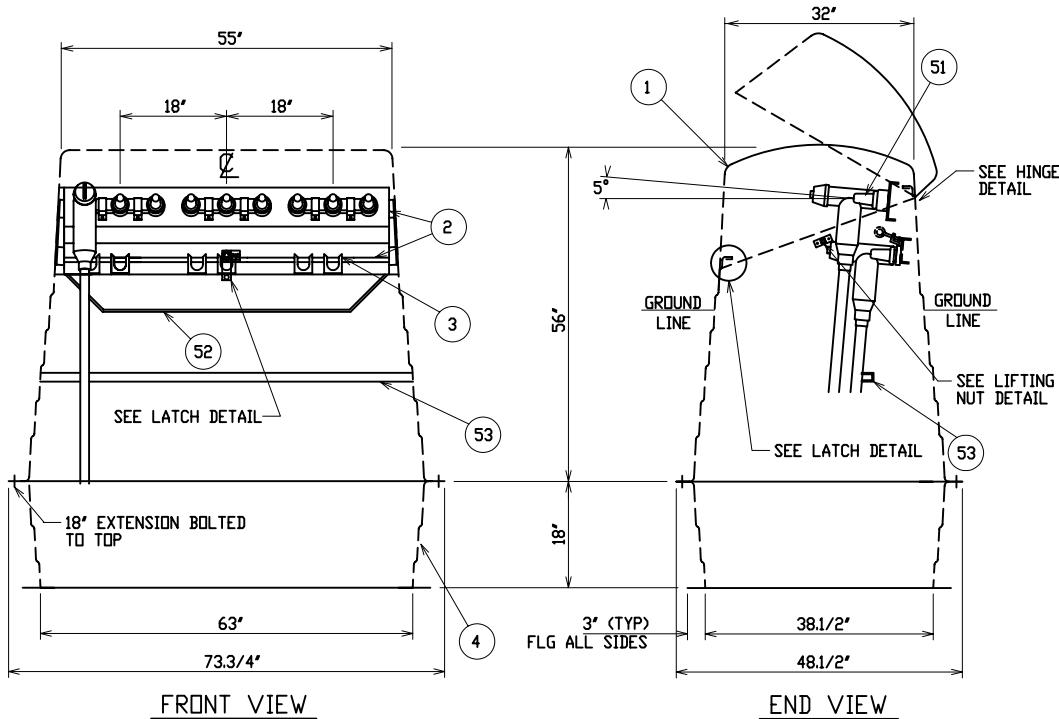
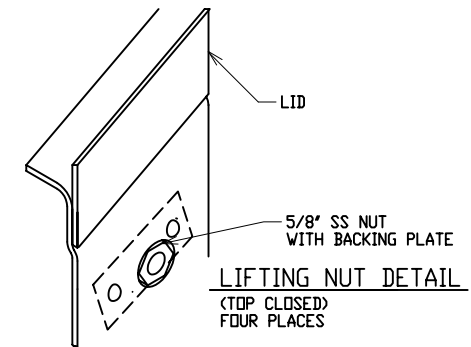
LATCH DETAIL



HINGE DETAIL
(TOP CLOSED)



HINGE DETAIL
(TOP OPEN)



MATERIAL LIST - STANDARD UNIT

ITEM	DESCRIPTION
1	POWER DESIGN INC MODEL NO CJP-31D-56-L2-MG FIBERGLASS CABLE JUNCTION PEDESTAL - MUNSELL GREEN
2	ALUMINUM JUNCTION MOUNTING BAR AND PARKING CLIP MOUNTING RAILS
3	ADJUSTABLE LOCATION STAINLESS STEEL PARKING CLIPS
4	18" FIBERGLASS SUB-BASE MODEL NO CJP-31D-18-MB-MG

OPTIONAL EQUIPMENT

51	600 AMP DEADBREAK JUNCTION - 35KV - 150KV BIL - COOPER JUNCTIONS 2 OR 3-WAY
52	3/8" GROUND BAR
53	STAINLESS STEEL UNISTRUT FOR CABLE SUPPORT - REMOVED FOR SHIPPING

NOTE:

1. MATERIAL:

- 1) FIBERGLASS LAMINATE 3/16" NOMINAL THICKNESS
 - 2) EXTERIOR UV STABILIZED GELCOAT - 14 MIL NOMINAL THICKNESS - WHITE INTERIOR
 - 3) FIRE RETARDANT - DOES NOT SUPPORT COMBUSTION
 - 4) STAINLESS STEEL HARDWARE
2. MOUNTING BAR WILL WITHSTAND A MINIMUM 400 L.B. LOADING TO INSTALL OR REMOVE ELBOWS.
 3. CATALOG NO WITH OPTIONS: CJP-31D-56-L2-MG-6235-GB38-CS-3334-R1

CATALOG NO: CJP-31D-56-L2-MG-3334-R1

DEADFRONT CABLE JUNCTION PEDESTAL

35KV 600 AMP 150KV BIL
THREE PHASE 2 OR 3-WAY COOPER JUNCTION



DRAWN: RB	PAGE	DATE 9-16-08	DRAWING NO. 3334-R1
--------------	------	-----------------	------------------------

FILE REF: