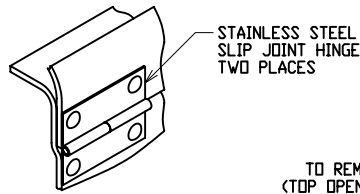
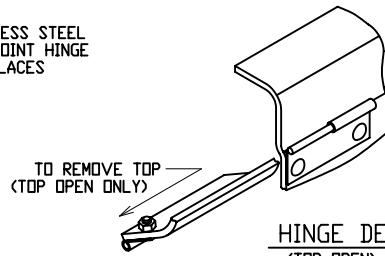


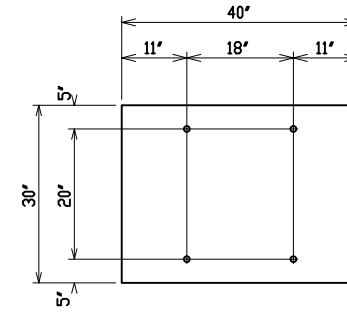
LATCH DETAIL



HINGE DETAIL  
(TOP CLOSED)

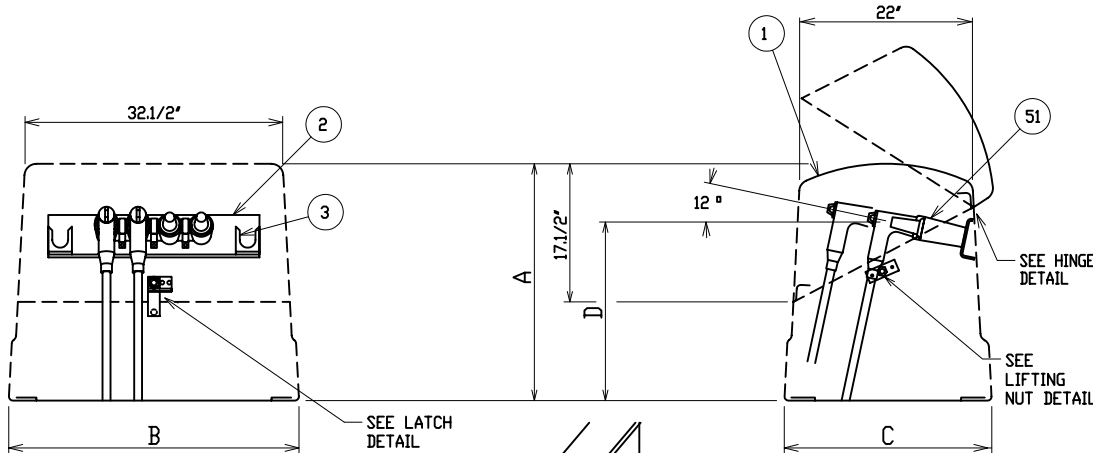


HINGE DETAIL  
(TOP OPEN)



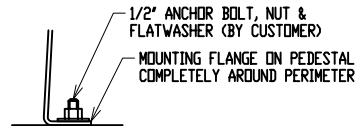
PAD & ANCHOR BOLT DIMENSIONS

ANCHOR BOLTS TO BE 1/2" DIAMETER & TO EXTEND 1-1/2" MINIMUM. PROVIDE CABLE ENTRY AS REQ'D.

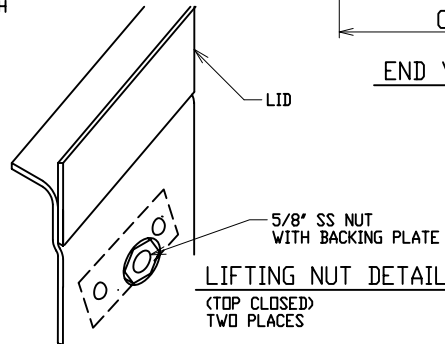


FRONT VIEW

END VIEW



PEDESTAL MTG. DETAIL



LIFTING NUT DETAIL  
(TOP CLOSED)  
TWO PLACES

MATERIAL LIST - STANDARD UNIT	
ITEM	DESCRIPTION
1	POWER DESIGN INC MODEL NO CJPF-10 FIBERGLASS CABLE JUNCTION PEDESTAL - MUNSELL GREEN
2	STAINLESS STEEL JUNCTION MOUNTING BAR
3	STAINLESS STEEL PARKING CLIPS

OPTIONAL EQUIPMENT	
51	200 AMP LOADBREAK JUNCTION - 15/25KV - 95/125KV BIL - SPECIFY MANUFACTURER, VOLTAGE AND 2, 3, OR 4-WAY

NOTE:

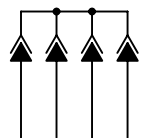
1. ORDERING INFORMATION:

USER SHOULD SELECT 'D', BURIAL DEPTH, DESIRED. SPECIFY 'A', OVERALL HEIGHT, AS A SUFFIX TO THE BASIC PART NO. i.e.; CJPF-40-50 = 50" OVERALL HEIGHT 8" TERMINAL HEIGHT MAY BE INCREASED BY DECREASING BURIAL DEPTH OR ORDERING THE NEXT SIZE GREATER 'A' DIMENSION.

2. MATERIAL:

- 1) FIBERGLASS LAMINATE 3/16" NOMINAL THICKNESS
- 2) EXTERIOR UV STABILIZED GELCOAT - 14 MIL NOMINAL THICKNESS - WHITE INTERIOR
- 3) FIRE RETARDANT - DOES NOT SUPPORT COMBUSTION
- 4) STAINLESS STEEL HARDWARE

3. MOUNTING BAR WILL WITHSTAND A MINIMUM 400 LB. LOADING TO INSTALL OR REMOVE ELBOWS.



SCHEMATIC

MODEL No.	OVERALL HEIGHT	OVERALL WIDTH AT BOTTOM	OVERALL DEPTH AT BOTTOM	JUNCTION TERMINAL HEIGHT
	A	B	C	D
CJPF-10-22	22"	35"	24"	14.1/2"
CJPF-10-30	30"	36.3/4"	26.1/4"	22.1/2"

DEADFRONT CABLE JUNCTION PEDESTAL  
15/25KV    200 AMP    95/125KV BIL  
SINGLE PHASE    2, 3, OR 4-WAY LOADBREAK JUNCTION

**POWER DESIGN INC.**  
DELL, OREGON

DRAWN:  
RB

PAGE

DATE

DRAWING NO.

3-29-04

3311-R1

FILE REF.