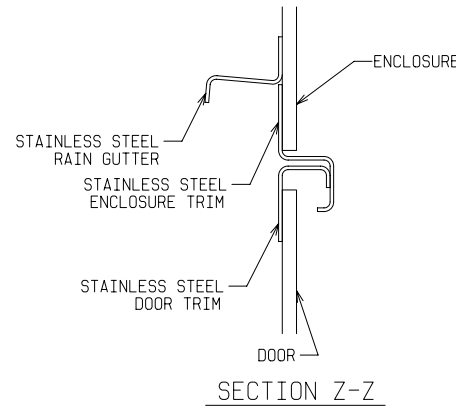
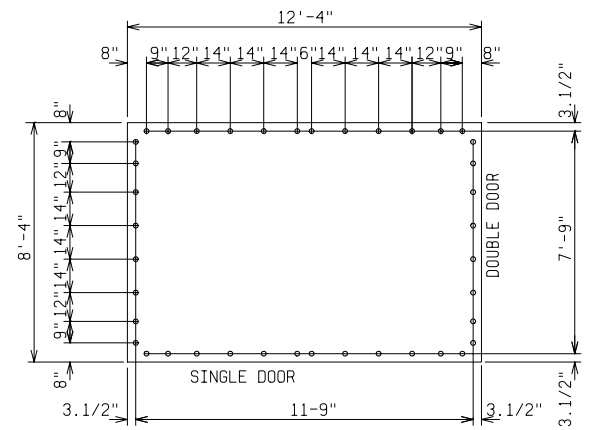


EQUIPMENT MTG PANEL WITH BREAKER BOX, HEATER, LIGHT SWITCH & DUPLEX RECEPTACLE

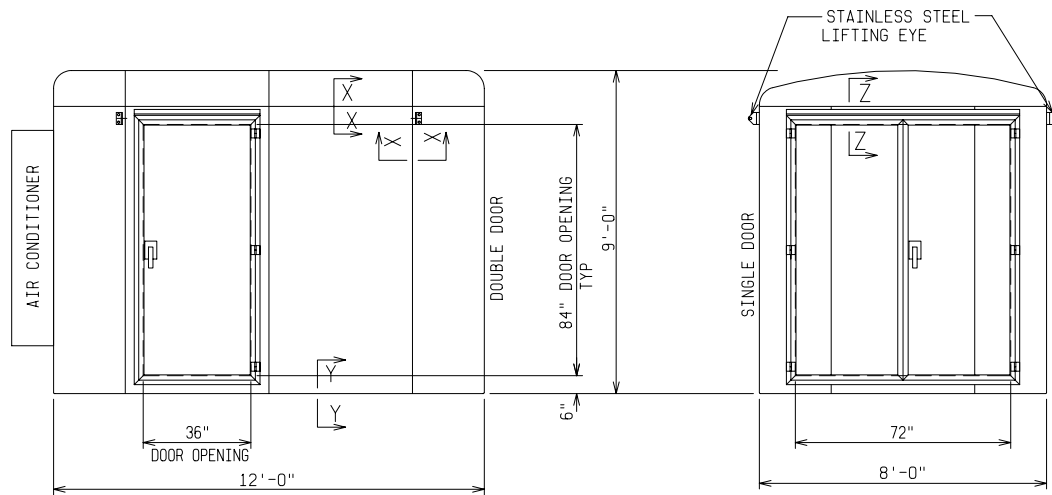


SECTION Z-Z



PAD & DETAIL BOLT DETAIL

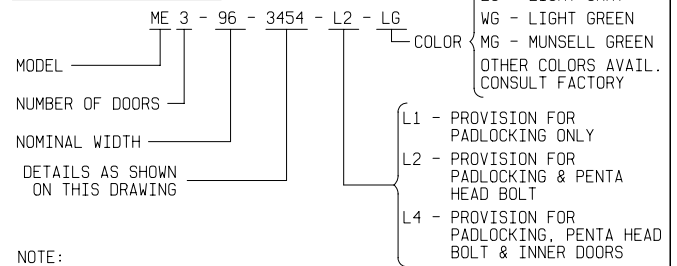
ANCHOR BOLTS TO BE 5/8" DIA. & TO EXTEND 1-1/2" MINIMUM ABOVE PAD. PROVIDE UTILITY ENTRY AS REQUIRED.



FRONT VIEW

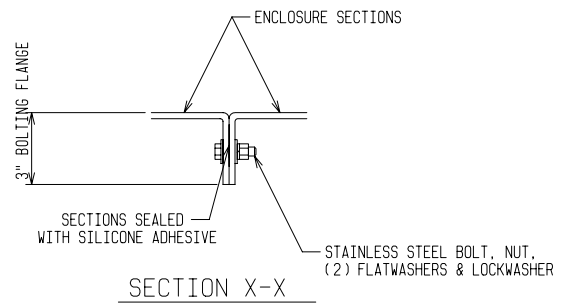
VIEW B-B

ORDERING INFORMATION:

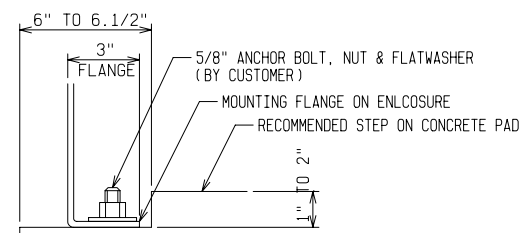


NOTE:

1. MATERIAL:
 - 1) FIBERGLASS LAMINATE 1/4" NOMINAL THICKNESS
 - 2) EXTERIOR UV STABILIZED GELCOAT - 14 MIL NOMINAL THICKNESS
 - 3) FIRE RETARDANT - DOES NOT SUPPORT COMBUSTION
 - 4) STAINLESS STEEL HARDWARE
2. STANDARDS:
 - 1) CERTIFIED TEST DATA OF ASTM STRUCTURAL STANDARDS AVAILABLE UPON REQUEST



SECTION X-X



SECTION Y-Y

FIBERGLASS MODULAR ENCLOSURE
 8 FT WIDE x 9 FT HIGH x 12 FT LONG
 ONE DOUBLE & ONE SINGLE DOOR - BRKR BOX, LIGHTS, RCPTCL, AIR CONDITIONER



| | | | |
|--------------|------|----------------|---------------------|
| DRAWN: BB | PAGE | DATE 5-4-03 | DRAWING NO. 3454 |
|--------------|------|----------------|---------------------|

FILE REF: