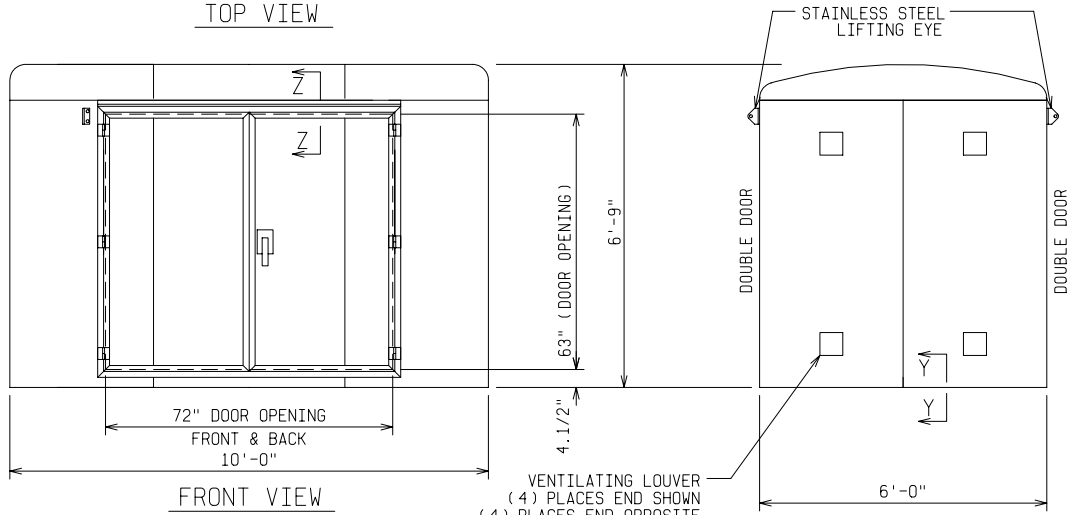
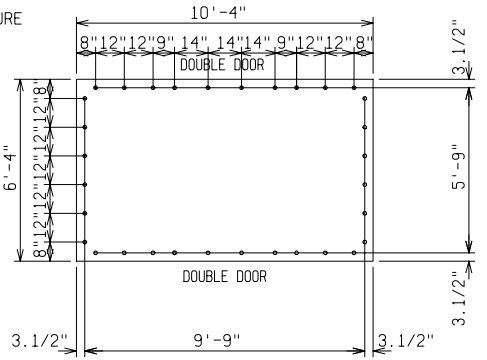
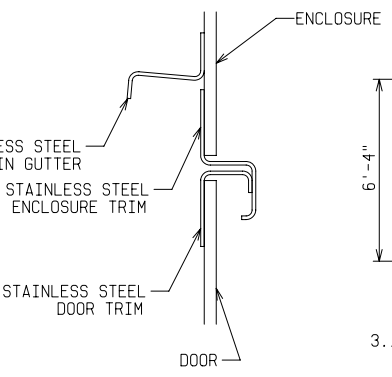
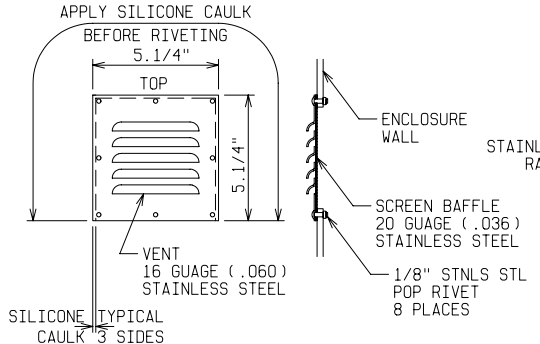
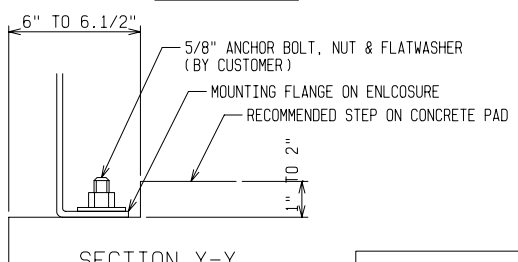
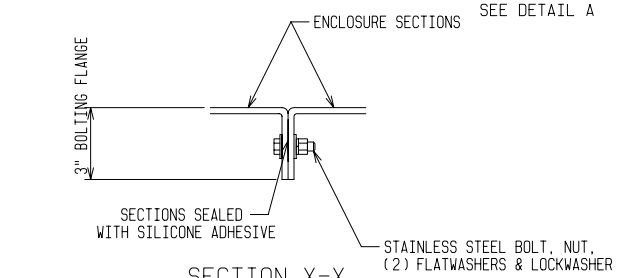


TOP VIEW



FRONT VIEW

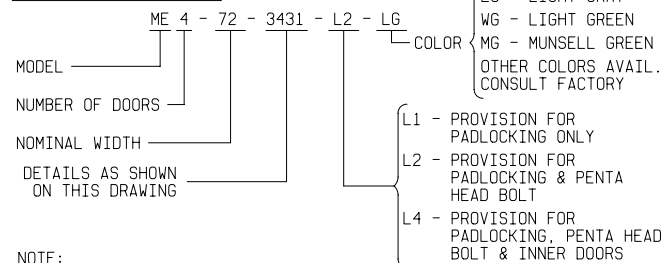
END VIEW



PAD & ANCHOR BOLT DETAIL

ANCHOR BOLTS TO BE 5/8" DIA. AND TO EXTEND 1-1/2" MINIMUM ABOVE PAD
PROVIDE UTILITY ENTRY AS REQUIRED

ORDERING INFORMATION:



NOTE:

- MATERIAL:**
 - 1) FIBERGLASS LAMINATE 1/4" NOMINAL THICKNESS
 - 2) EXTERIOR UV STABILIZED GELCOAT - 14 MIL NOMINAL THICKNESS
 - 3) FIRE RETARDANT - DOES NOT SUPPORT COMBUSTION
 - 4) STAINLESS STEEL HARDWARE
- STANDARDS:**
 - 1) CERTIFIED TEST DATA OF ASTM STRUCTURAL STANDARDS AVAILABLE UPON REQUEST

FIBERGLASS MODULAR ENCLOSURE

6 FT WIDE x 6 FT 9 IN HIGH x 10 FT LONG

ONE DOUBLE DOOR ON EACH SIDE



DRAWN: BB	PAGE	DATE 4-4-03	DRAWING NO. 3431
-----------	------	----------------	---------------------

FILE REF: