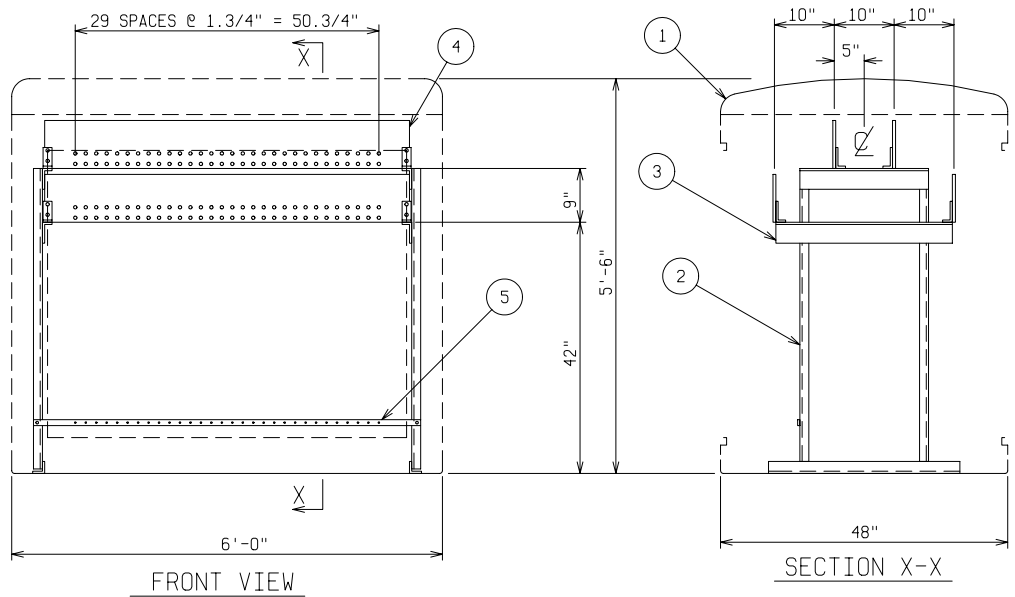


PAD & ANCHOR BOLT DETAIL

ANCHOR BOLTS TO BE 5/8" DIA. & TO EXTEND 1-1/2" MINIMUM ABOVE PAD. PROVIDE CABLE ENTRY AS REQ'D.



MATERIAL LIST - STANDARD UNIT	
ITEM	DESCRIPTION
1	FIBERGLASS MODULAR BUILDING - 4 DOOR - MUNSELL GREEN - STAINLESS STEEL HARDWARE - PDI MODEL ME4-48-1986-L2-MG
2	GALVANIZED STEEL FREE-STANDING FRAME
3	FIBERGLASS ANGLE INSULATOR - GPO-3
4	1/2" x 8" COPPER BUS BARS - 30 POSITION - NEMA 2 HOLE DRILLING
5	1/4" x 1" COPPER GROUND BUS - 30 POSITION - #10-32 TAPPED HOLES

CATALOG NO: ME4-48-1986-L2-MG

PADMOUNT SECONDARY TERMINAL BUS

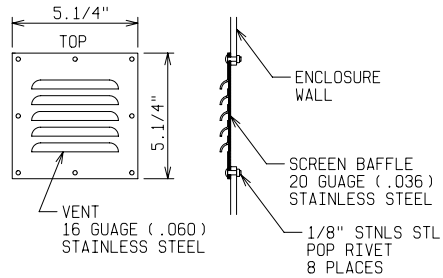
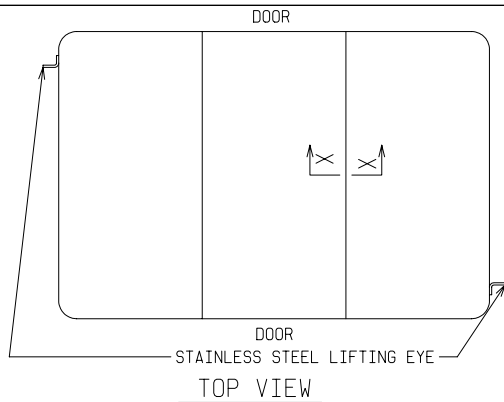
600V 2500 AMP (30) NEMA 2 HOLE

THREE PHASE (1) 1/2" x 8" COPPER BUS PER PHASE + NEUTRAL

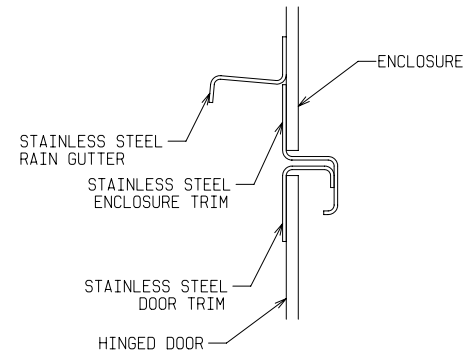
POWER DESIGN INC.
ODELL, OREGON

DRAWN: BB	PAGE 1 OF 2	DATE 3-13-01	DRAWING NO. 1986
--------------	----------------	-----------------	---------------------

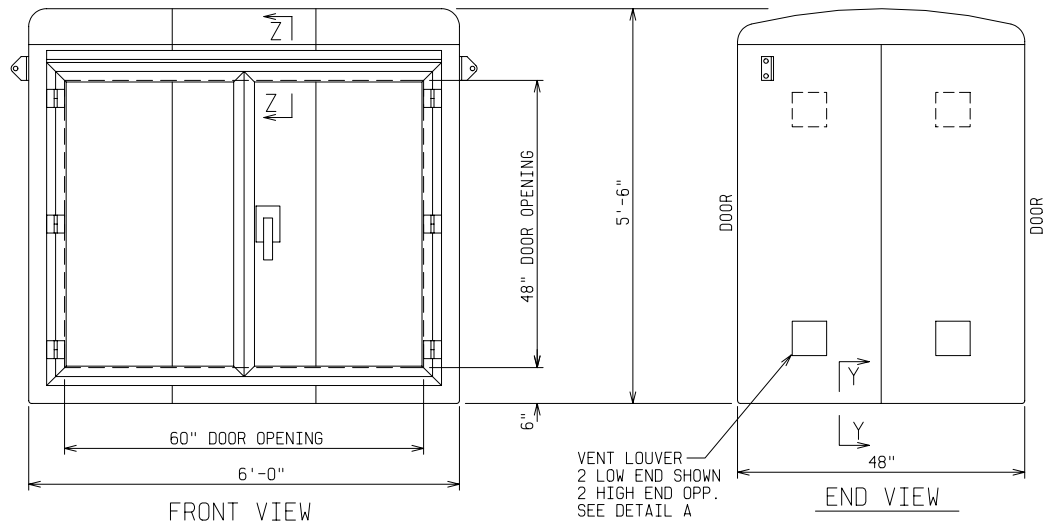
FILE REF:



LOUVER DETAIL

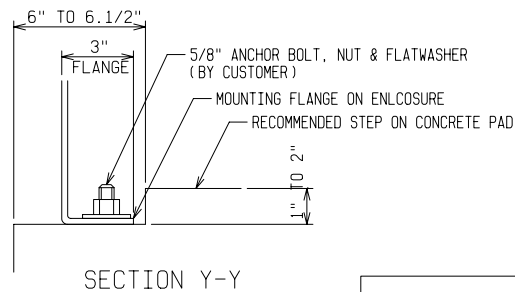
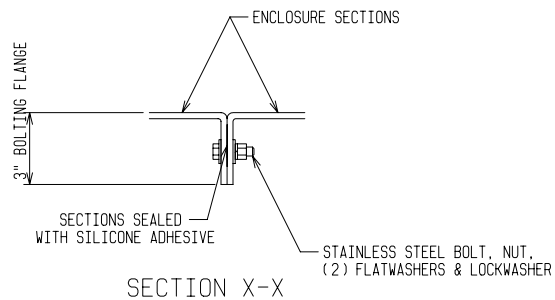


SECTION Z-Z



NOTE:

1. MATERIAL:
 - 1) FIBERGLASS LAMINATE 1/4" NOMINAL THICKNESS
 - 2) EXTERIOR UV STABILIZED GELCOAT - 14 MIL NOMINAL THICKNESS
 - 3) FIRE RETARDANT - DOES NOT SUPPORT COMBUSTION
 - 4) TYPE 316 STAINLESS STEEL HARDWARE
2. STANDARDS:
 - 1) CERTIFIED TEST DATA OF ASTM STRUCTURAL STANDARDS AVAILABLE UPON REQUEST



CATALOG NO: ME4-48-1986-L2-MG

PADMOUNT SECONDARY TERMINAL BUS
 4 FT WIDE x 5 FT 6 IN HIGH x 6 FT LONG
 TWO DOUBLE DOORS

POWER DESIGN INC.
 ODELL, OREGON

DRAWN: BB	PAGE 2 OF 2	DATE 10-30-03	DRAWING NO. 1986
--------------	----------------	------------------	---------------------

FILE REF: