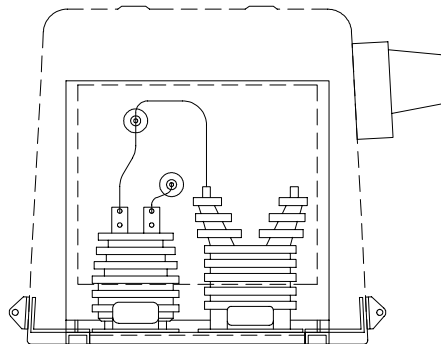
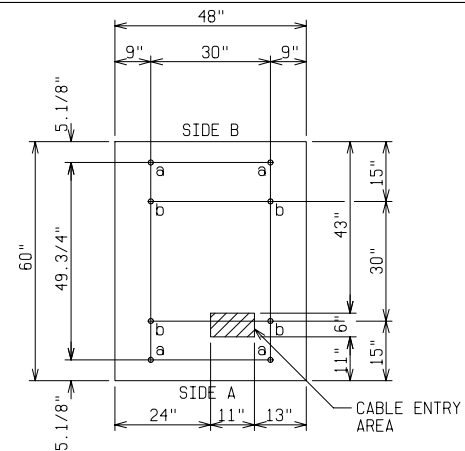


TOP VIEW

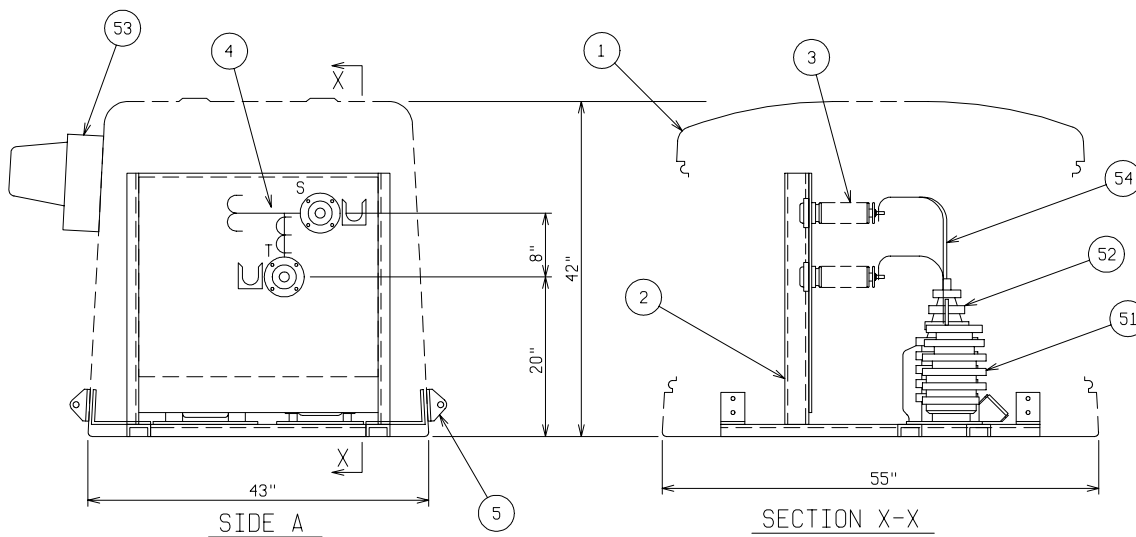


SIDE B



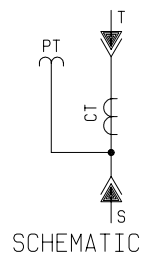
PAD AND ANCHOR BOLT DIMENSIONS

ANCHOR BOLTS TO BE 5/8" DIA. AND TO EXTEND:  
 a = 1-1/2" MINIMUM  
 b = 2-1/2" MINIMUM  
 PROVIDE CABLE ENTRY AS REQUIRED.



SIDE A

SECTION X-X



SCHEMATIC

MATERIAL LIST - STANDARD UNIT

ITEM	DESCRIPTION
1	FIBERGLASS EQUIPMENT ENCLOSURE - 2 DOOR - MUNSELL GREEN STAINLESS STEEL HARDWARE - PDI MODEL NO. PE2-45
2	FREE STANDING GALVANIZED STEEL FRAME
3	200 AMP BUSHING WELL - 25KV - 125KV BIL
4	BLACK LINE SCHEMATIC ON REFLECTIVE YELLOW TAPE ON FRONT PANEL
5	REMOVEABLE LIFTING EYES FOR LIFTING ENCLOSURE AND FRAME AS ONE UNIT

CUSTOMER SUPPLIED EQUIPMENT

51	CURRENT TRANSFORMER - OUTDOOR TYPE - 25KV - 150KV BIL
52	POTENTIAL TRANSFORMER - OUTDOOR TYPE - 25KV - 150KV BIL
53	METER SOCKET
54	PRIMARY AND SECONDARY WIRING BETWEEN CT's, PT's AND METER BASE

CATALOG NO: PS2-45-1756-L4-MG

PRIMARY METERING - DEADFRONT

25KV 200 AMP 125KV BIL

SINGLE PHASE 1 CT 1 PT



**POWER DESIGN INC.**  
 ODELL, OREGON

FILE REF:

DRAWN:  
BB

PAGE

DATE  
11-21-00

DRAWING NO.  
1756