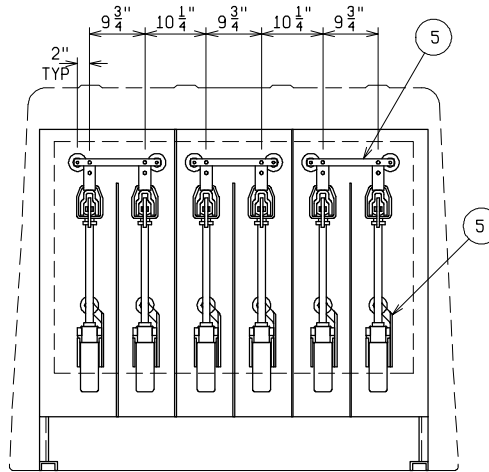
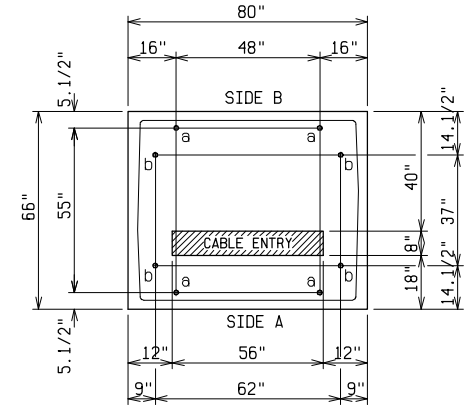


TOP VIEW

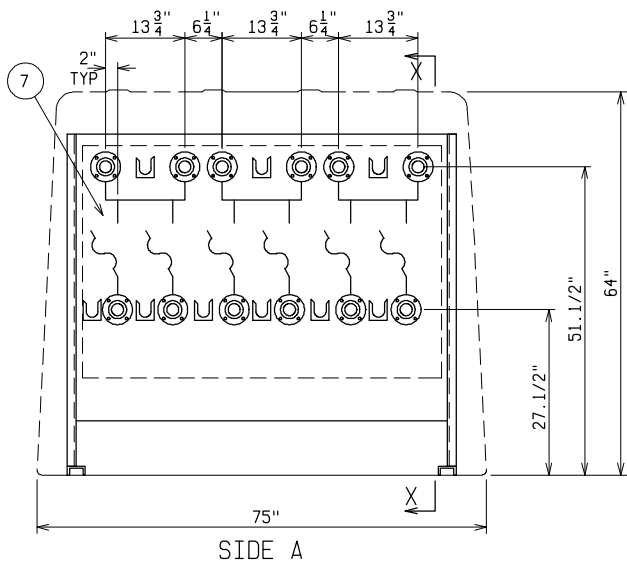


SIDE B

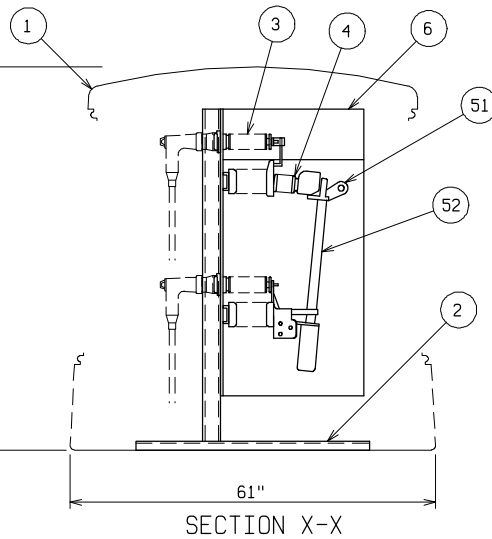


PAD & ANCHOR BOLT DETAIL

ANCHOR BOLTS TO BE 5/8" DIA. & TO EXTEND:
 a = 1-1/2" ABOVE PAD
 b = 2-1/2" ABOVE PAD
 PROVIDE CABLE ENTRY AS REQ'D.



SIDE A



SECTION X-X

MATERIAL LIST - STANDARD UNIT

ITEM	DESCRIPTION
1	FIBERGLASS EQUIPMENT ENCLOSURE - 4 DOOR - MUNSELL GREEN STAINLESS STEEL HARDWARE - PDI MODEL PE4-74-2
2	GALVANIZED STEEL FREE STANDING FRAME
3	200 AMP BUSHING WELL - 25KV - 125KV BIL
4	S&C TYPE SML-20 LOADBREAK FUSE MOUNTING - 25KV - 125KV BIL 200E AMP MAX FUSE (FUSE NOT INCLUDED)
5	1/8" x 1" COPPER BUS
6	3/16" THICK GLASTIC BARRIER
7	SCHEMATIC DIAGRAM TAPED & STENCILED ON FRONT PLATE

OPTIONAL EQUIPMENT

51	S&C TYPE SML-20 FUSE END FITTINGS
52	S&C TYPE SMU-20 FUSE UNIT - 25KV - SPECIFY AMPERE FUSE REQ'D 200E AMP MAXIMUM

CATALOG NO: PS4-74-1528-L4-MG-L2F

SWITCHGEAR - DEADFRONT

25KV 200 AMP 125KV BIL

THREE PHASE

LOADBREAK LOOP FEED WITH (2) LOADBREAK FUSED TAP

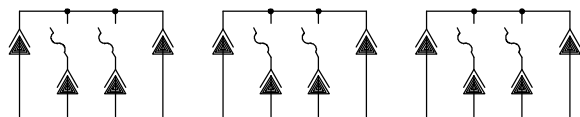


POWER DESIGN INC.

ODELL, OREGON

DRAWN:	PAGE	DATE	DRAWING NO.
BB		4-30-98	1528

FILE REF.



SCHEMATIC