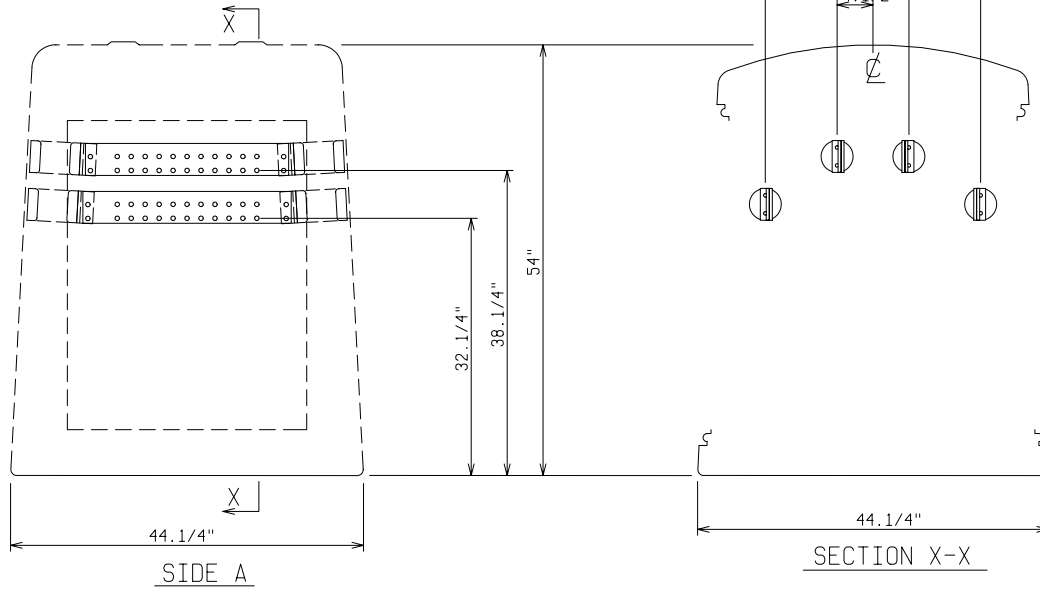
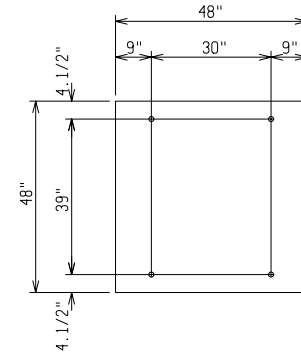


TOP VIEW



SIDE A

SECTION X-X



PAD AND ANCHOR BOLT DIMENSIONS

ANCHOR BOLTS TO BE 5/8" DIA. AND TO EXTEND 1.1/2" MIN.
PROVIDE CABLE ENTRY AS REQUIRED.

MATERIAL LIST - STANDARD UNIT

ITEM	DESCRIPTION
1	FIBERGLASS EQUIPMENT ENCLOSURE - 2 DOOR - STANDARD LIGHT GREEN STAINLESS STEEL HARDWARE - PDI MODEL PE2-44-0-L2
2	1/4" X 4" COPPER BUS
3	95KV BIL INSULATOR

OPTIONAL EQUIPMENT

SWITCHGEAR

600V 1200 AMP
THREE PHASE (1) 1/4 x 4 COPPER BAR PER PHASE



FILE REF:

DRAWN:	PAGE	DATE	DRAWING NO.
BB		2-11-98	1507