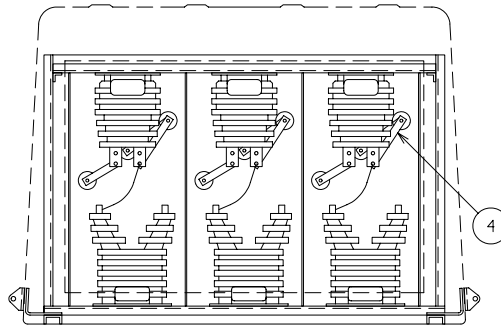
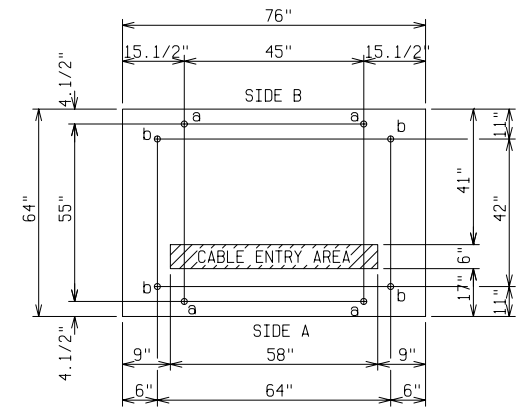


SIDE A - OPTIONAL

RADIAL FEED - CAT NO: PS4-74-1489R-L2-WG

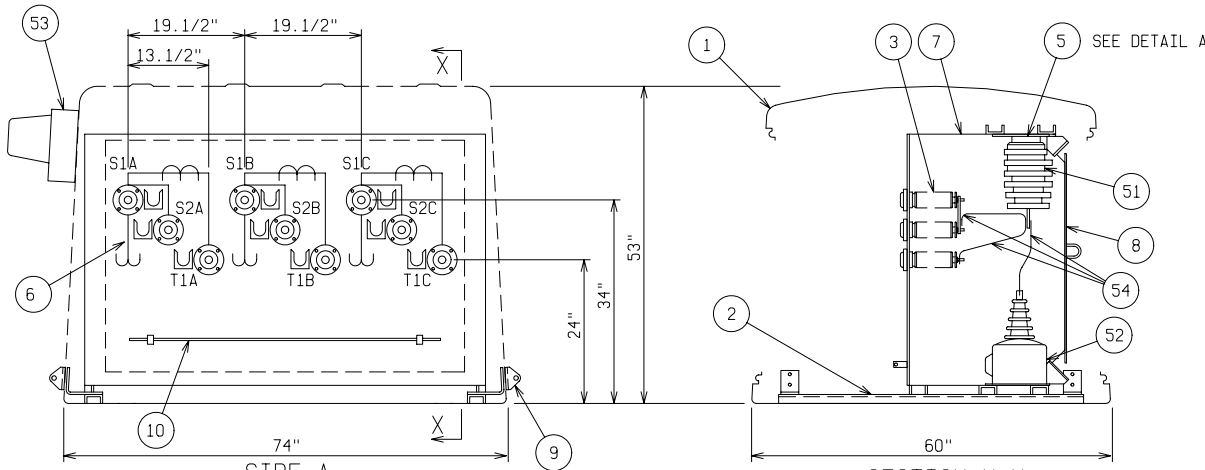


SIDE B



PAD & ANCHOR BOLT DETAIL

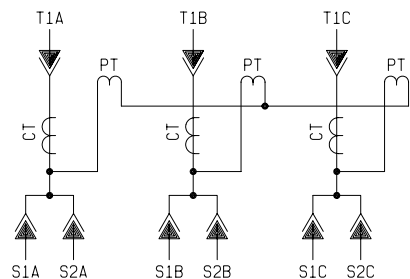
ANCHOR BOLTS TO BE 5/8" DIA. & TO EXTEND:
 a = 1.1/2" MIN.
 b = 2.1/2" MIN.
 PROVIDE CABLE ENTRY AS REQ'D.



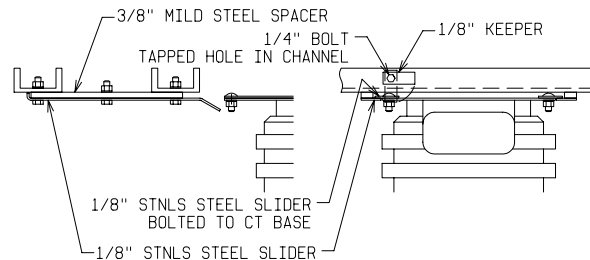
SIDE A

SECTION X-X

LOOP FEED - CAT NO: PS4-74-1489L-L2-WG



SCHEMATIC



DETAIL A

MATERIAL LIST - STANDARD UNIT

ITEM	DESCRIPTION
1	FIBERGLASS EQUIPMENT ENCLOSURE - 4 DOOR - STANDARD GREEN STAINLESS STEEL HARDWARE - PDI MODEL NO. PE4-74-0
2	FREE STANDING GALVANIZED STEEL FRAME
3	200 AMP BUSHING WELL - 25KV - 125KV BIL
4	1 x 1/8" COPPER BUS
5	STAINLESS STEEL SLIDER BRACKET FOR CT
6	BLACK LINE SCHEMATIC ON REFLECTIVE YELLOW TAPE ON FRONT PANEL
7	3/16" TYPE GPO-3 BARRIER
8	1/4" CLEAR LEXAN LIFT-OFF FRONT COVER BARRIERS
9	REMOVEABLE LIFTING EYES FOR LIFTING ENCLOSURE AND FRAME AS ONE UNIT
10	3/8" DIA COPPER GROUND BAR

OPTIONAL EQUIPMENT

51	CURRENT TRANSFORMER - OUTDOOR TYPE - 15KV - 110KV BIL
52	POTENTIAL TRANSFORMER - OUTDOOR TYPE - 15KV - 110KV BIL
53	METER BOX
54	PRIMARY BUSSING INSULATED WITH RAYCHEM RAYSULATE INSULATION BETWEEN BUSHING WELLS, CT's AND PT's
55	SECONDARY WIRING BETWEEN CT's, PT's AND METER BASE

CATALOG NO: PS4-74-1489(X)-L2-WG

PRIMARY METERING

15/25KV 200 AMP 110/125KV BIL
 THREE PHASE 3 CT 3 PT LOADBREAK LOOP FEED WITH LOADBREAK TAP



DRAWN: BB	PAGE	DATE 10-15-97	DRAWING NO. 1489 -R1
--------------	------	------------------	-------------------------

FILE REF: