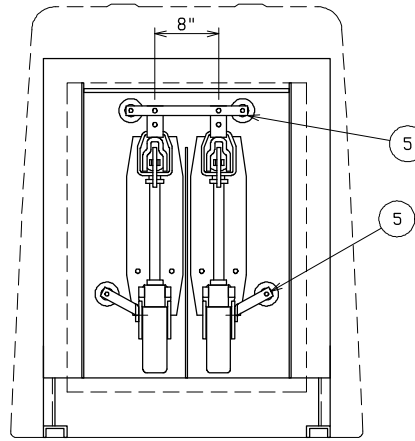
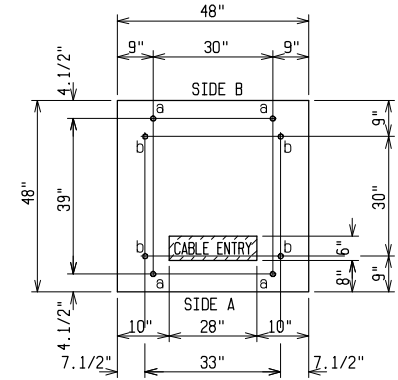


TOP VIEW

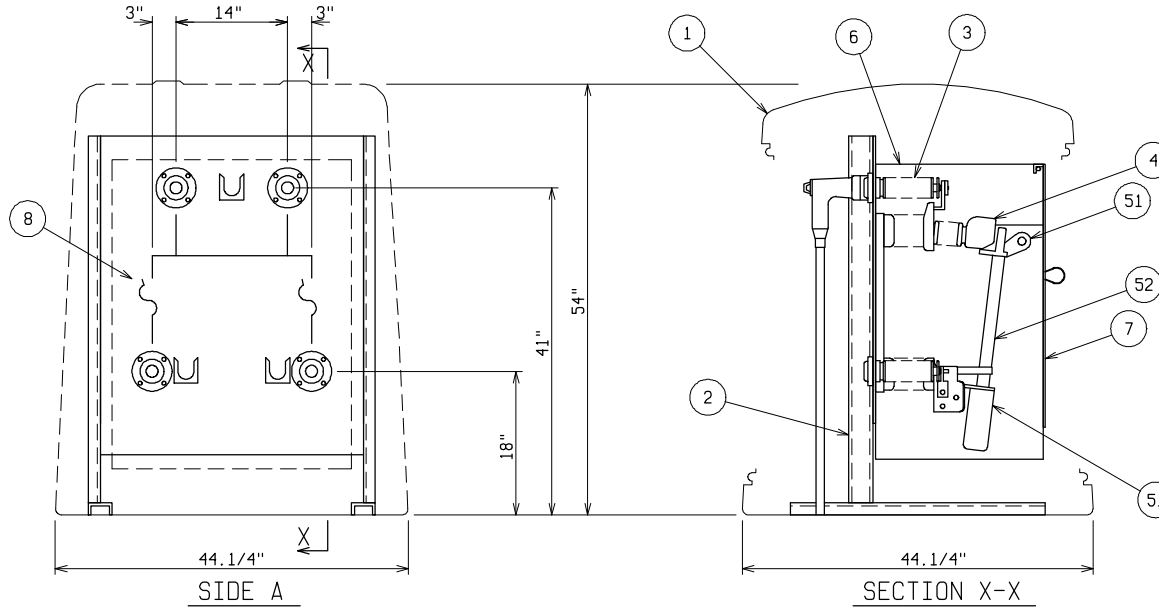


SIDE B



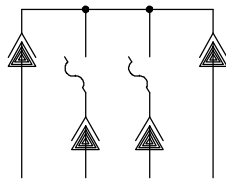
PAD AND ANCHOR BOLT DIMENSIONS

ANCHOR BOLTS TO BE 5/8" DIA. AND TO EXTEND: a = 1.1/2" MIN.  
b = 2.1/2" MIN.  
PROVIDE CABLE ENTRY AS REQUIRED.



SIDE A

SECTION X-X



SCHEMATIC

MATERIAL LIST - STANDARD UNIT

ITEM	DESCRIPTION
1	FIBERGLASS EQUIPMENT ENCLOSURE - 4 DOOR - STANDARD GREEN - STAINLESS STEEL HARDWARE - PDI MODEL PE2-44-0-L2 WITH ONE CLEAR LEXAN INNER DOOR
2	GALVANIZED STEEL FREE STANDING FRAME
3	CABLE TO AIR BUSHING WELL - 25KV - 125KV BIL - 200 AMP
4	S&C TYPE SML-20 LOADBREAK FUSE MOUNTING - 15KV - 95KV BIL 200E AMP MAX FUSE ( FUSE NOT INCLUDED)
5	1/8" x 1" COPPER BUS
6	3/16" THICK GLASTIC BARRIER
7	CLEAR LEXAN COVER BARRIER - LIFT-OFF
8	SCHEMATIC DIAGRAM TAPED & STENCILED ON FRONT PLATE

OPTIONAL EQUIPMENT

51	S&C TYPE SML-20 FUSE END FITTINGS
52	S&C TYPE SMU-20 FUSE UNIT - 15KV - SPECIFY AMPERE FUSE REQ'D 200E AMP MAXIMUM

SWITCHGEAR - DEADFRONT

15KV 200 AMP 95KV BIL

SINGLE PHASE LOADBREAK LOOP FEED WITH (2) LOADBREAK FUSED TAP



POWER DESIGN INC.

ODELL, OREGON

DRAWN: BB	PAGE	DATE 9-19-97	DRAWING NO. 1475
--------------	------	-----------------	---------------------

FILE REF.