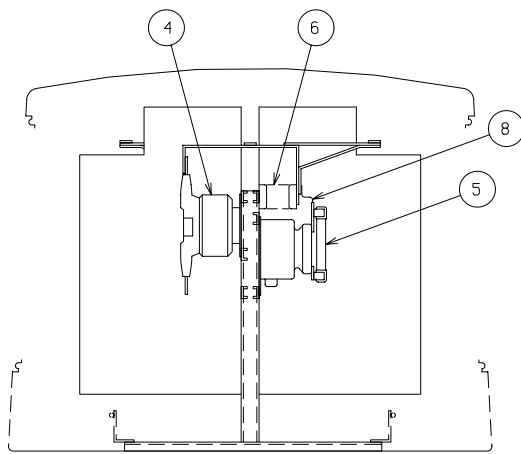
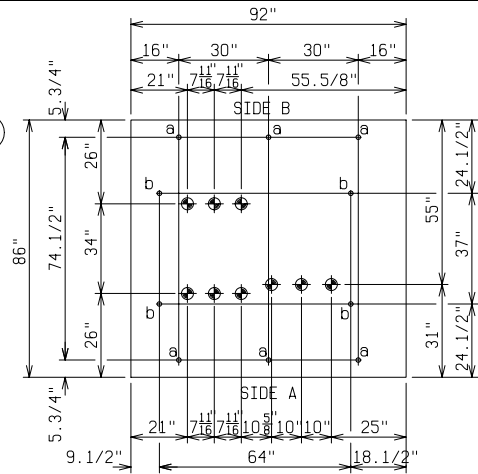


TOP VIEW

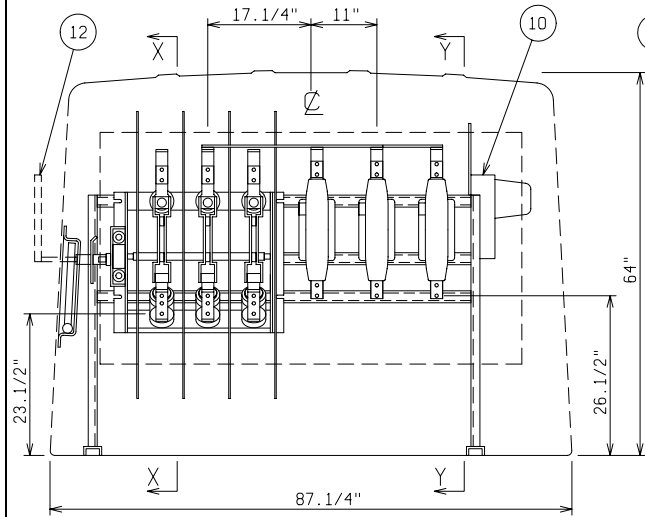


SECTION Y-Y

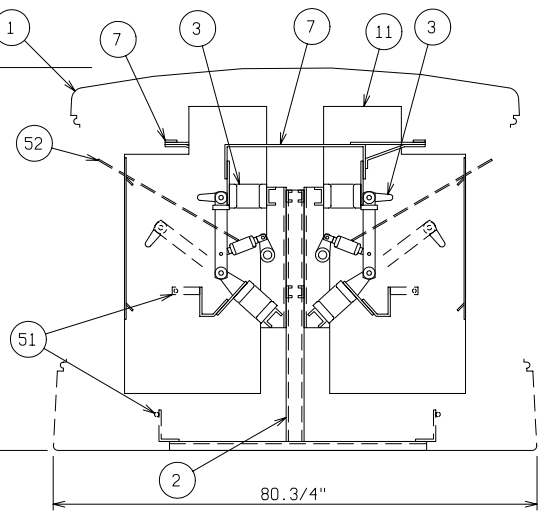


PAD & ANCHOR BOLT DETAILS

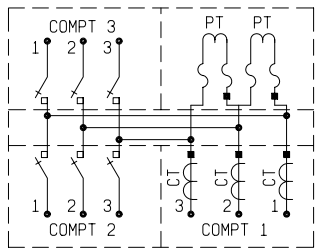
ANCHOR BOLTS TO BE 5/8" DIA. & TO EXTEND:
 a = 1-1/2" MINIMUM
 b = 2-1/2" MINIMUM
 PROVIDE CABLE ENTRY HOLES AS REQUIRED.
 ◆ = PROJECTED CABLE TERMINAL POINT



SIDE A



SECTION X-X



SCHEMATIC

MATERIAL LIST - STANDARD UNIT

ITEM	DESCRIPTION
1	FIBERGLASS EQUIPMENT ENCLOSURE - 4 DOOR - STANDARD GREEN - STNLS. STL. HARDWARE - PDI MODEL NO. PE4-86-2
2	GALVANIZED STEEL FREE-STANDING FRAME
3	ELECTRICAL EQUIPMENT INC THREE PHASE AUTO-JET II SWITCH - 15KV 600 AMP - 95KV BIL - 40,000A RMS ASYM.
4	CURRENT TRANSFORMER - INDOOR TYPE - 15KV - 110KV BIL - 600:5 RATIO WESTINGHOUSE TYPE KIR-11 OR EQUAL
5	POTENTIAL TRANSFORMER - INDOOR TYPE - DOUBLE FUSE - 15KV - 110KV BIL 120:1 RATIO - WESTINGHOUSE TYPE VIZ-11 OR EQUAL
6	95KV BIL INSULATOR
7	1/4" x 2" COPPER BUS
8	No. 6 AWG SOLID COPPER
9	FIBERGLASS METER ACCESS DOOR WITH LEXAN METER VIEWING PANEL
10	13 TERMINAL METER BASE AND FORM 8S KILOWATT HOUR METER WITH DEMAND WIRED FROM INSTRUMENT TRANSFORMERS
11	3/16" GPO-3 BARRIER
12	SWITCH OPERATING HANDLE, FIBERGLASS ACCESS DOOR & STORAGE POCKET

OPTIONAL EQUIPMENT

51	5/8" DIA. GROUND STUDS ON SWITCH TERMINALS
52	DUAL PURPOSE FRONT COVER BARRIERS IN SWITCH COMPARTMENTS

SWITCHING/PRIMARY METERING

15KV 600 AMP 95KV BIL
 3 PHASE GROUP OPERATED SWITCH 3 PHASE METERING 3 CT 2 PT KWH METER



DRAWN:	PAGE	DATE	DRAWING NO.
BB		9-11-96	1377

FILE REF: