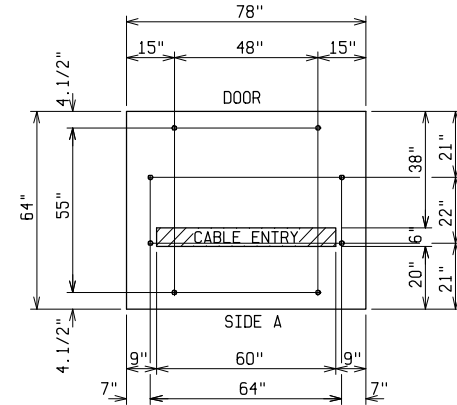
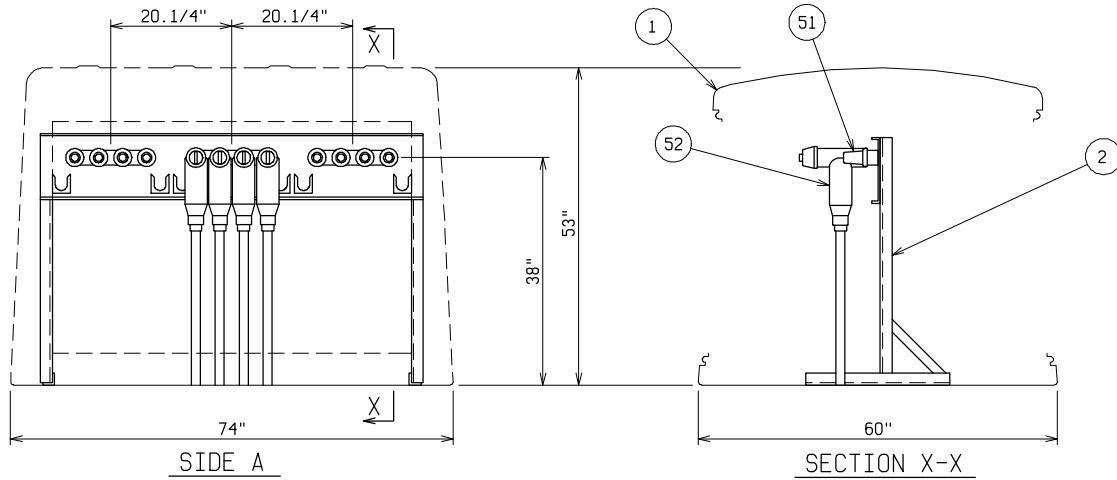


SIDE A  
TOP VIEW



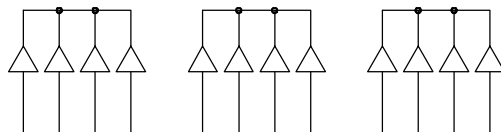
PAD & ANCHOR BOLT DETAIL

ANCHOR BOLTS TO BE 5/8" DIA. & TO EXTEND 1-1/2" MINIMUM ABOVE PAD. PROVIDE CABLE ENTRY AS REQ'D.



SIDE A

SECTION X-X



SCHMATIC

MATERIAL LIST - STANDARD UNIT

ITEM	DESCRIPTION
1	FIBERGLASS EQUIPMENT ENCLOSURE - 4 DOOR - STANDARD GREEN - STNLS STL HARDWARE - PDI MODEL NO. PE4-74-0
2	GALVANIZED STEEL FREE-STANDING FRAME

OPTIONAL EQUIPMENT

51	2, 3 OR 4 WAY 600 AMP DEADBREAK JUNCTION - 15/25KV 95/125KV BIL
52	600 AMP DEADBREAK ELBOW - 15/25KV - 95/125KV BIL

NOTE:

SEE JOB MATERIAL LIST FOR ADDITIONAL EQUIPMENT  
PROVIDE ELBOWS WITH ADDITIONAL SUPPORT AS REQUIRED

SECTIONALIZING SWITCHGEAR - DEADFRONT

15/25KV      600 AMP      95/125KV BIL

2, 3 OR 4 WAY DEADBREAK JUNCTION



**POWER DESIGN INC.**

HOOD RIVER, OREGON

DRAWN: BB	PAGE	DATE 6-12-94	DRAWING NO. 1200
--------------	------	-----------------	---------------------

FILE REF.