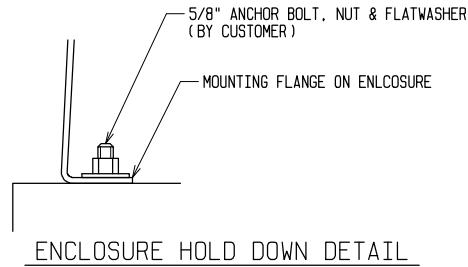
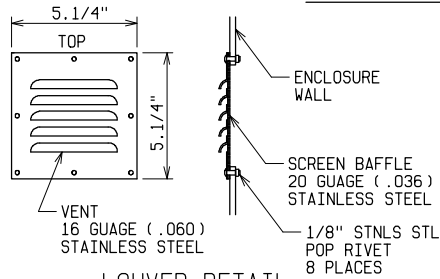


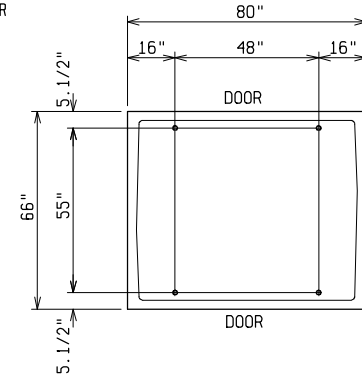
TOP VIEW



ENCLOSURE HOLD DOWN DETAIL

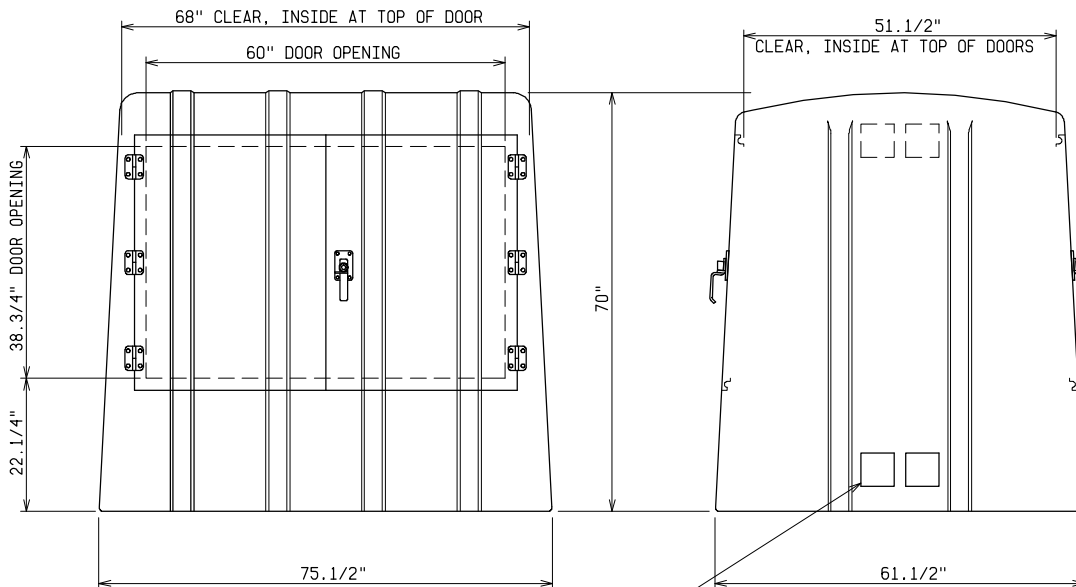


LOUVER DETAIL



PAD & ANCHOR BOLT DETAIL

ANCHOR BOLTS TO BE 5/8" DIA. & TO EXTEND 1-1/2" MINIMUM ABOVE PAD. PROVIDE CABLE ENTRY AS REQ'D.

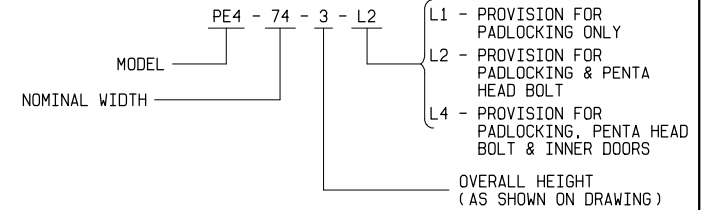


FRONT VIEW

END VIEW

VENTILATING LOUVER  
TWO LOW END SHOWN  
TWO HIGH END OPP.  
SEE LOUVER DETAIL

ORDERING INFORMATION:



NOTE:

1. MATERIAL:
  - 1) FIBERGLASS LAMINATE 3/16" NOMINAL THICKNESS
  - 2) EXTERIOR UV STABILIZED GELCOAT - 14 MIL NOMINAL THICKNESS
  - 3) FIRE RETARDANT - DOES NOT SUPPORT COMBUSTION
  - 4) STAINLESS STEEL HARDWARE
2. STANDARDS:
  - 1) CONFORMS TO ANSI C57.12.28, PADMOUNT EQUIPMENT ENCLOSURE INTEGRITY STANDARD
  - 2) CERTIFIED TEST DATA OF ASTM STRUCTURAL STANDARDS AVAILABLE UPON REQUEST

ENCLOSURE DETAILS

PE4-74-3



POWER DESIGN INC.

ODELL, OREGON

DRAWN: BB	PAGE	DATE 6-3-94	DRAWING NO. 1029 -R1
--------------	------	----------------	-------------------------

FILE REF.