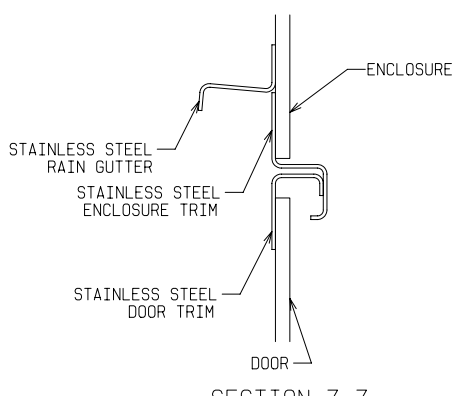
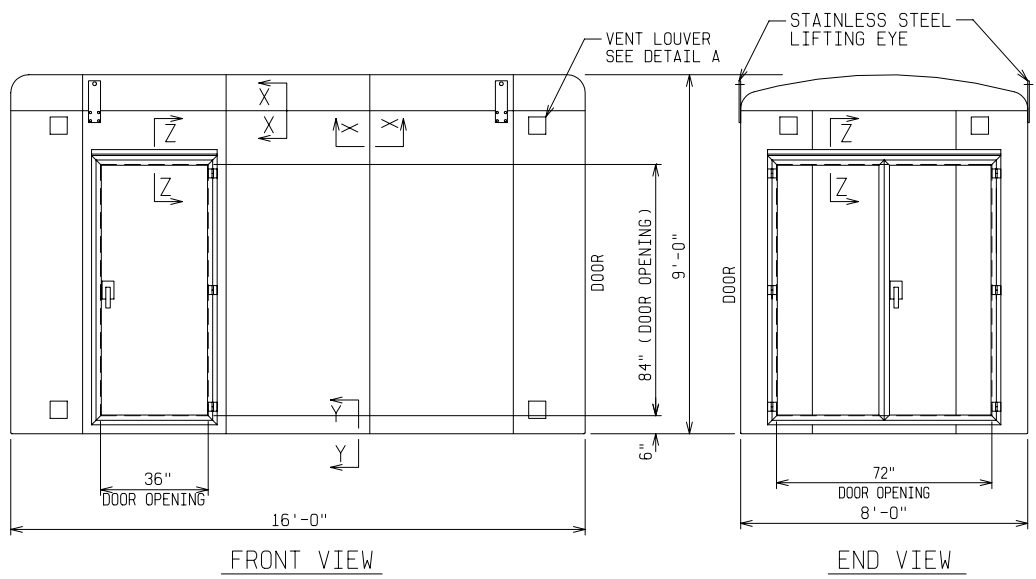
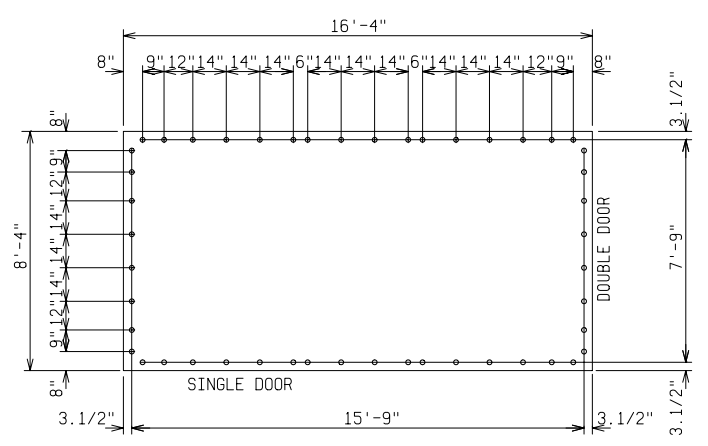


DETAIL A



SECTION Z-Z



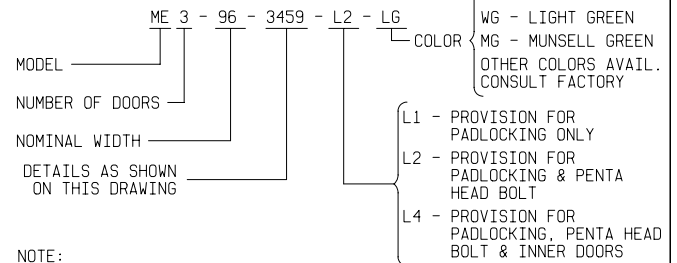
FRONT VIEW

END VIEW

PAD & DETAIL BOLT DETAIL

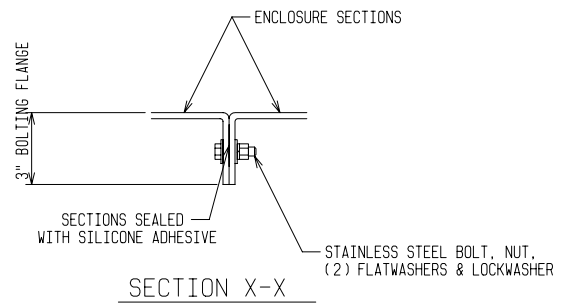
ANCHOR BOLTS TO BE 5/8" DIA. & TO EXTEND 1-1/2" MINIMUM ABOVE PAD. PROVIDE UTILITY ENTRY AS REQUIRED.

ORDERING INFORMATION:

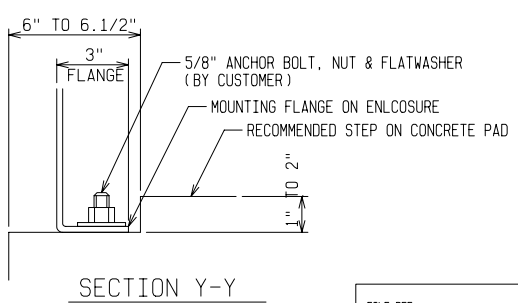


NOTE:

1. MATERIAL:
 - 1) FIBERGLASS LAMINATE 1/4" NOMINAL THICKNESS
 - 2) EXTERIOR UV STABILIZED GELCOAT - 14 MIL NOMINAL THICKNESS
 - 3) FIRE RETARDANT - DOES NOT SUPPORT COMBUSTION
 - 4) STAINLESS STEEL HARDWARE
2. STANDARDS:
 - 1) CERTIFIED TEST DATA OF ASTM STRUCTURAL STANDARDS AVAILABLE UPON REQUEST



SECTION X-X



SECTION Y-Y

<p>FIBERGLASS WALK-IN ENCLOSURE</p> <p>8 FT WIDE x 9 FT HIGH x 16 FT LONG</p> <p>ONE ENTRY DOOR AND ONE DOUBLE DOOR</p>			
<p>POWER DESIGN INC.</p> <p>ODELL, OREGON</p>			
DRAWN: BB	PAGE	DATE 5-4-03	DRAWING NO. 3459

FILE REF: