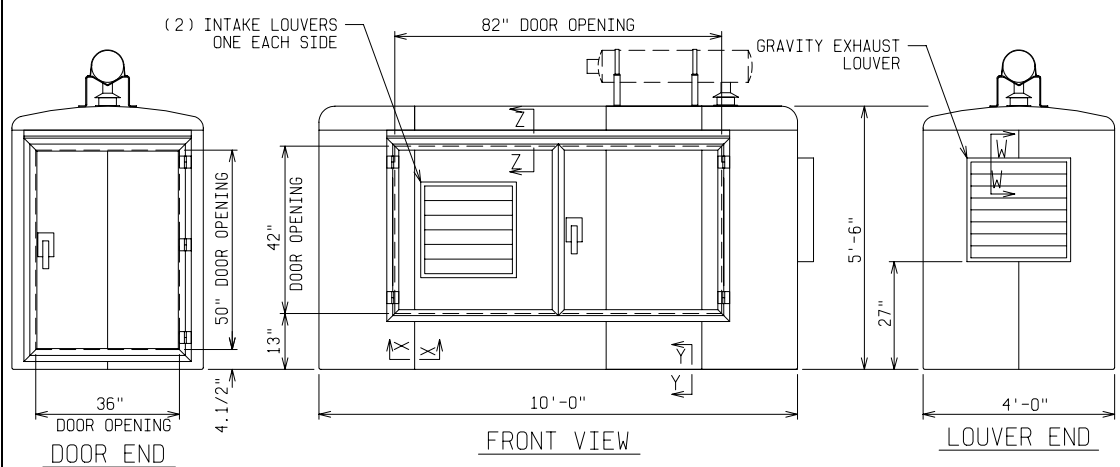
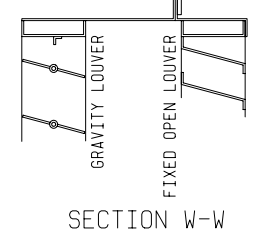
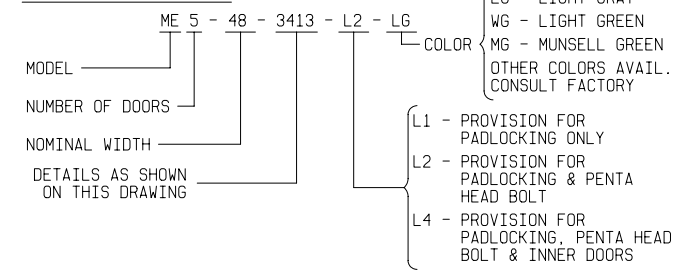


MUFFLER MOUNTING DETAIL
MUFFLER PROVIDED & MOUNTED BY OTHERS

PAD & ANCHOR BOLT DETAIL
ANCHOR BOLTS TO BE 5/8" DIA. & TO EXTEND 1-1/2"
MINIMUM ABOVE PAD. PROVIDE CABLE ENTRY AS REQ'D.

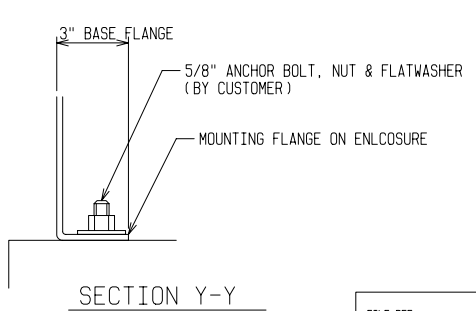
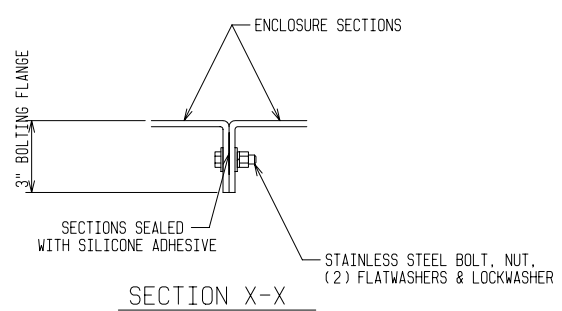


ORDERING INFORMATION:



NOTE:

- MATERIAL:
 - FIBERGLASS LAMINATE 1/4" NOMINAL THICKNESS
 - EXTERIOR UV STABILIZED GELCOAT - 14 MIL NOMINAL THICKNESS
 - FIRE RETARDANT - DOES NOT SUPPORT COMBUSTION
 - STAINLESS STEEL HARDWARE
- STANDARDS:
 - CERTIFIED TEST DATA OF ASTM STRUCTURAL STANDARDS AVAILABLE UPON REQUEST
- EXHAUST HARDWARE PACKAGE TO BE MOUNTED BY CUSTOMER



ENGINE GENERATOR ENCLOSURE
4 FT WIDE x 5'-6" HIGH x 10 FT LONG
TWO DOUBLE & ONE SINGLE ACCESS DOORS (2) INTAKE AND (1) EXHAUST LOUVER



DRAWN: BB	PAGE	DATE 3-4-03	DRAWING NO. 3413
--------------	------	----------------	---------------------

FILE REF: