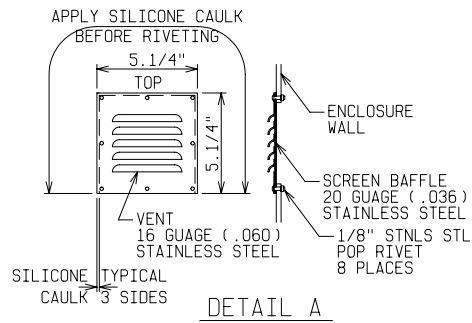
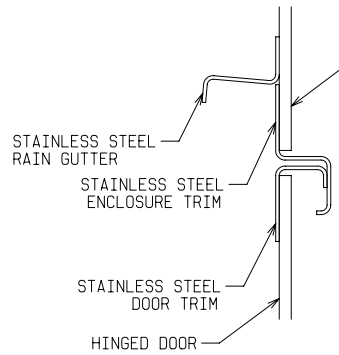


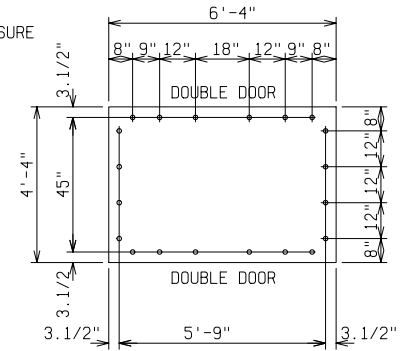
TOP VIEW



DETAIL A

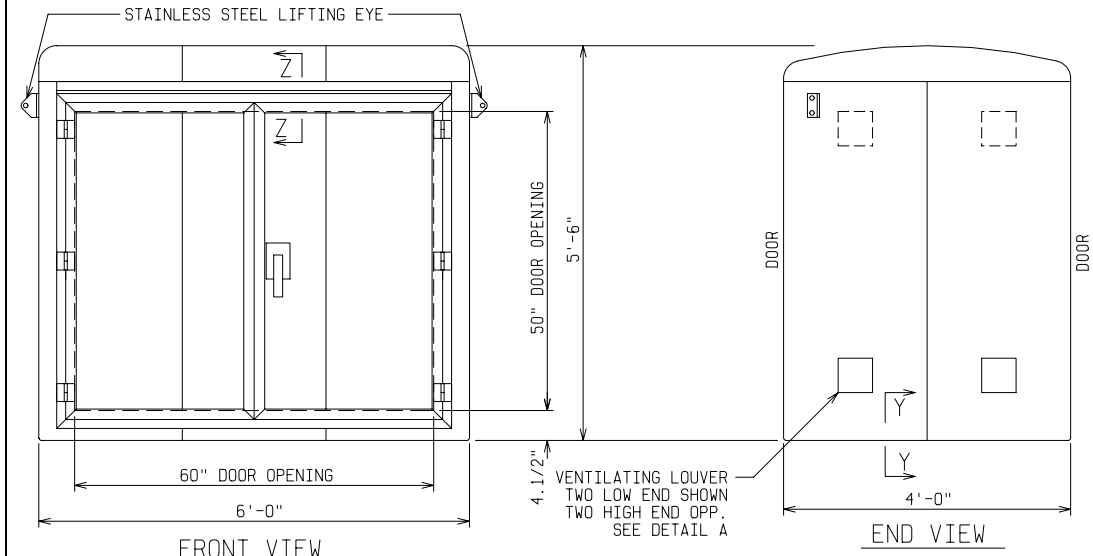


SECTION Z-Z



PAD & ANCHOR BOLT DETAIL

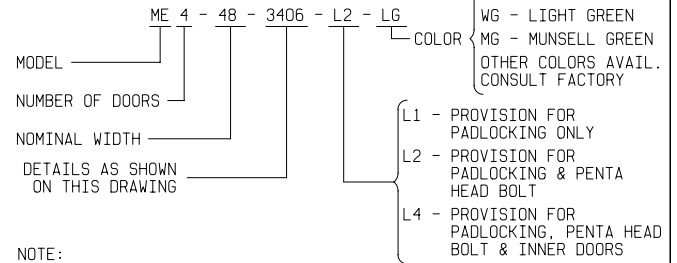
ANCHOR BOLTS TO BE 5/8" DIA. & TO EXTEND 1-1/2" MINIMUM ABOVE PAD. PROVIDE CABLE ENTRY AS REQ'D.



FRONT VIEW

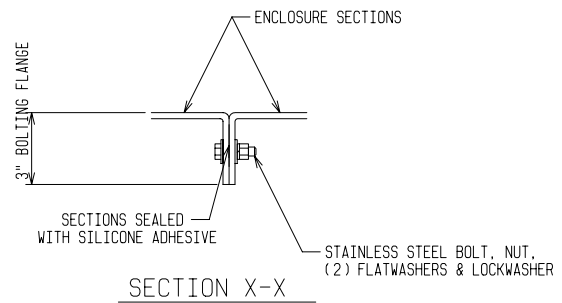
END VIEW

ORDERING INFORMATION:

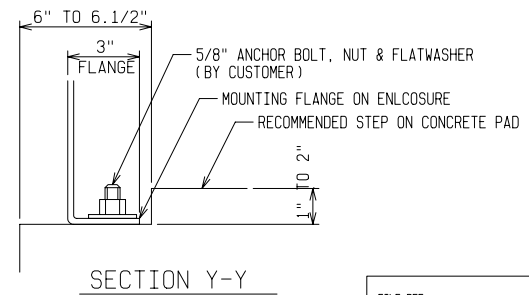


NOTE:

1. MATERIAL:
 - 1) FIBERGLASS LAMINATE 1/4" NOMINAL THICKNESS
 - 2) EXTERIOR UV STABILIZED GELCOAT - 14 MIL NOMINAL THICKNESS
 - 3) FIRE RETARDANT - DOES NOT SUPPORT COMBUSTION
 - 4) STAINLESS STEEL HARDWARE
2. STANDARDS:
 - 1) CERTIFIED TEST DATA OF ASTM STRUCTURAL STANDARDS AVAILABLE UPON REQUEST



SECTION X-X



SECTION Y-Y

FIBERGLASS MODULAR ENCLOSURE 4 FT WIDE x 5 FT 6 IN HIGH x 6 FT LONG TWO DOUBLE DOORS			
POWER DESIGN INC. ODELL, OREGON			
DRAWN: BB	PAGE	DATE 3-4-03	DRAWING NO. 3406

FILE REF: