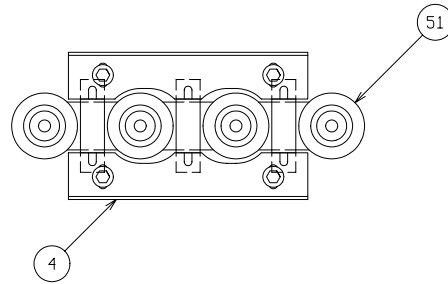
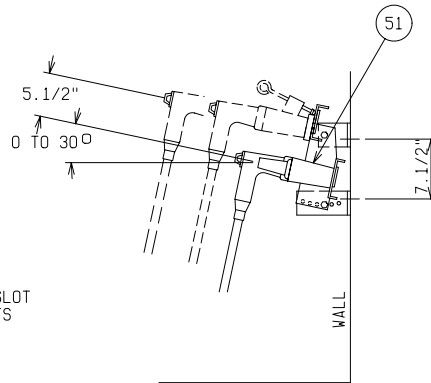
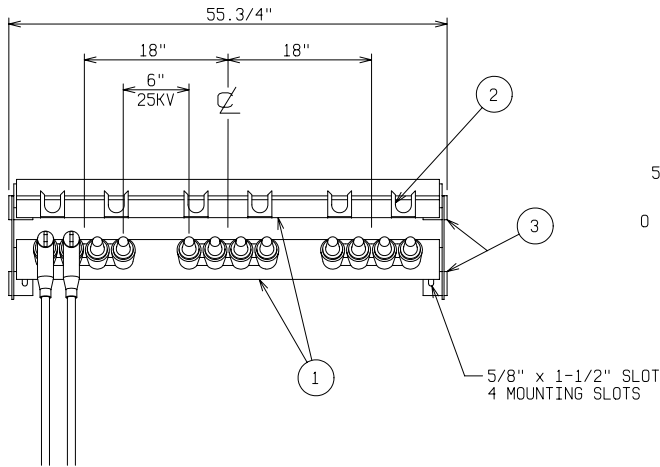


MOUNTING BOLT DETAILS

ANCHORS TO BE 1/2" DIA. AND TO EXTEND 1-1/2" MINIMUM.



JUNCTION MOUNTING DETAIL



MATERIAL LIST - STANDARD UNIT

ITEM	DESCRIPTION
1	ALUMINUM JUNCTION MOUNTING BAR AND PARKING CLIP MOUNTING RAILS
2	ADJUSTABLE LOCATION STAINLESS STEEL PARKING CLIPS
3	STAINLESS STEEL MOUNTING CLIPS
4	STAINLESS STEEL ADJUSTABLE U-STRAP CLAMPS

OPTIONAL EQUIPMENT

51	200 AMP LOADBREAK JUNCTION - 15KV OR 25KV - 95/125KV BIL - SPECIFY VOLTAGE, MANUFACTURER AND 2, 3 OR 4-WAY
----	--

NOTE:

1. MOUNTING BAR WILL WITHSTAND A MINIMUM 400 LB. LOADING TO INSTALL OR REMOVE ELBOWS.

CATALOG NO: MB-30-1591

DEADFRONT CABLE JUNCTION MOUNT

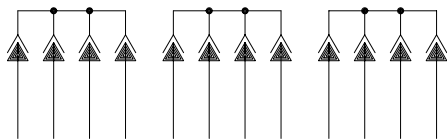
15/25KV 200 AMP 95/125KV BIL
 THREE PHASE 2, 3 OR 4-WAY LOADBREAK JUNCTION



CITY OF REDDING

FILE REF:

DRAWN: BB	PAGE	DATE 2-12-99	DRAWING NO. 1591
--------------	------	-----------------	---------------------



SCHEMATIC