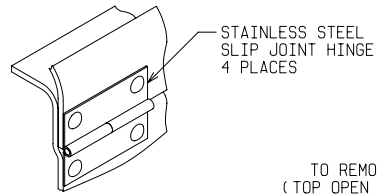
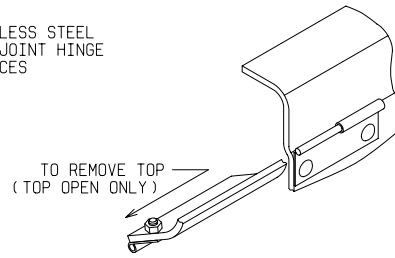


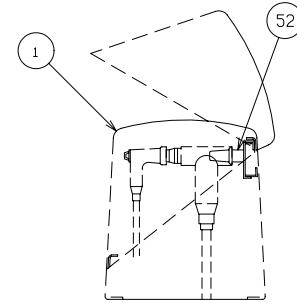
LATCH DETAIL  
TWO PLACES



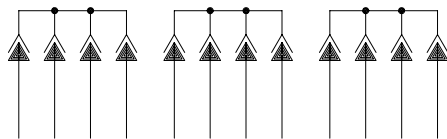
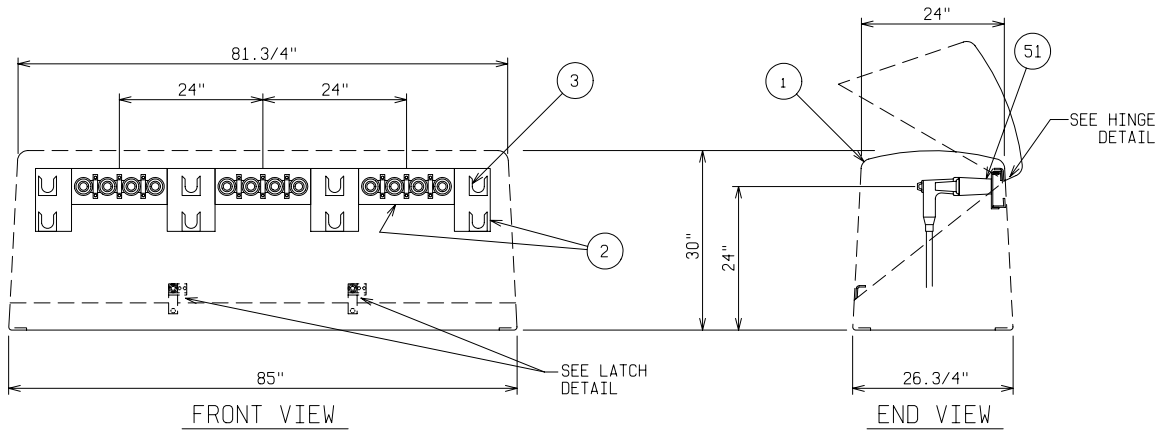
HINGE DETAIL  
(TOP CLOSED)



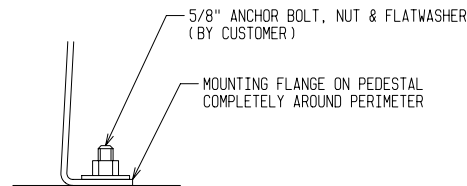
HINGE DETAIL  
(TOP OPEN)



ALTERNATE END VIEW  
WITH 600 AMP JUNCTION



SCHEMATIC



PEDESTAL MTG. DETAIL

MATERIAL LIST - STANDARD UNIT

ITEM	DESCRIPTION
1	POWER DESIGN INC MODEL NO CJPJF-84-30-L2-MG FIBERGLASS CABLE JUNCTION PEDESTAL - MUNSELL GREEN COLOR
2	ALUMINUM JUNCTION MOUNTING BARS AND PARKING CLIP MOUNTING BARS
3	STAINLESS STEEL PARKING CLIPS

OPTIONAL EQUIPMENT

51	200 AMP LOADBREAK JUNCTION - 15/25KV - 95/125KV BIL - SPECIFY VOLTAGE & 2, 3, OR 4-WAY
52	600 AMP DEADBREAK JUNCTION - 15/25KV - 95/125KV BIL - SPECIFY VOLTAGE & 2, 3, OR 4-WAY

NOTE:

- MATERIAL:
  - FIBERGLASS LAMINATE 1/4" NOMINAL THICKNESS
  - EXTERIOR UV STABILIZED GELCOAT - 14 MIL NOMINAL THICKNESS
  - FIRE RETARDANT - DOES NOT SUPPORT COMBUSTION
  - TYPE 316 STAINLESS STEEL HARDWARE
- MOUNTING BAR WILL WITHSTAND A MINIMUM 400 LB. LOADING TO INSTALL OR REMOVE ELBOWS.

CATALOG NO: CJPJF-84-30-L2-MG-2007

DEADFRONT CABLE JUNCTION PEDESTAL

15/25KV 200 AMP 95/125KV BIL  
THREE PHASE 2, 3 OR 4-WAY LOADBREAK JUNCTIONS

**POWER DESIGN INC.**  
ODELL, OREGON

DRAWN:	PAGE	DATE	DRAWING NO.
BB		3-3-04	2007

FILE REF: