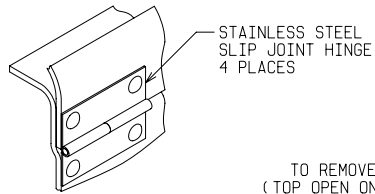
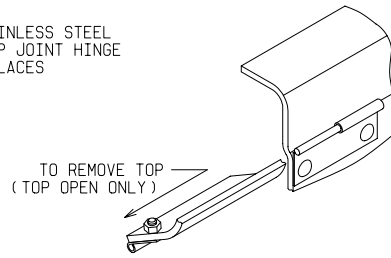


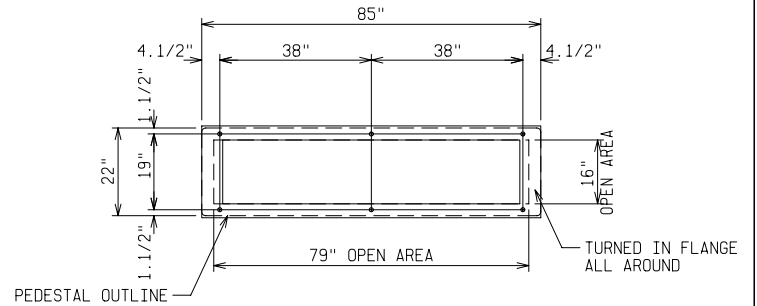
**LATCH DETAIL**  
TWO PLACES



**HINGE DETAIL**  
(TOP CLOSED)

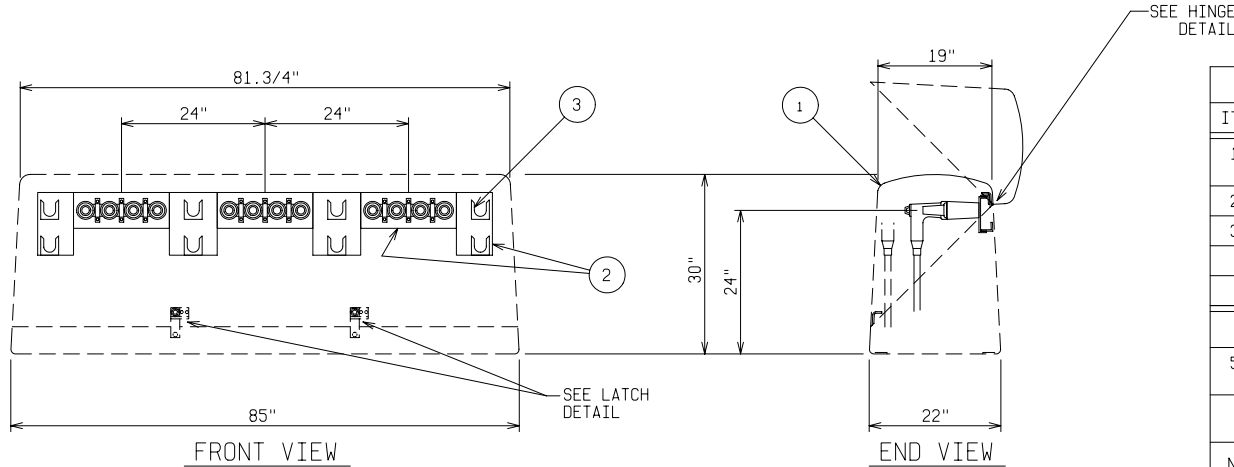


**HINGE DETAIL**  
(TOP OPEN)



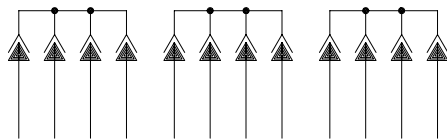
**CUSTOMER PAD DETAIL**

ANCHOR BOLTS TO BE 5/8" DIA. AND TO EXTEND 1-1/2" MINIMUM ABOVE PAD

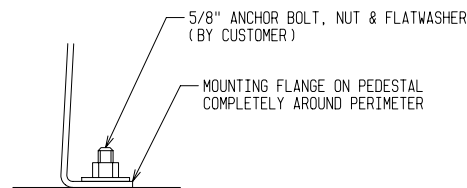


**FRONT VIEW**

**END VIEW**



**SCHEMATIC**



**PEDESTAL MTG. DETAIL**

**MATERIAL LIST - STANDARD UNIT**

ITEM	DESCRIPTION
1	POWER DESIGN INC MODEL NO CJPF-82-30-L2-MG FIBERGLASS CABLE JUNCTION PEDESTAL - MUNSELL GREEN COLOR
2	ALUMINUM JUNCTION MOUNTING BARS AND PARKING CLIP MOUNTING BARS
3	STAINLESS STEEL PARKING CLIPS

**OPTIONAL EQUIPMENT**

51	200 AMP LOADBREAK JUNCTION - 15/25KV - 95/125KV BIL - SPECIFY VOLTAGE & 2, 3, OR 4-WAY
----	--

**NOTE:**

- MATERIAL:**
  - FIBERGLASS LAMINATE 1/4" NOMINAL THICKNESS
  - EXTERIOR UV STABILIZED GELCOAT - 14 MIL NOMINAL THICKNESS
  - FIRE RETARDANT - DOES NOT SUPPORT COMBUSTION
  - TYPE 316 STAINLESS STEEL HARDWARE
- MOUNTING BAR WILL WITHSTAND A MINIMUM 400 LB. LOADING TO INSTALL OR REMOVE ELBOWS.

CATALOG NO: CJPF-82-30-L2-MG-1994

**DEADFRONT CABLE JUNCTION PEDESTAL**

15/25KV      200 AMP      95/125KV BIL  
THREE PHASE      2, 3 OR 4-WAY LOADBREAK JUNCTIONS



DRAWN:	PAGE	DATE	DRAWING NO.
BB		2-9-04	1994 -R2

FILE REF: