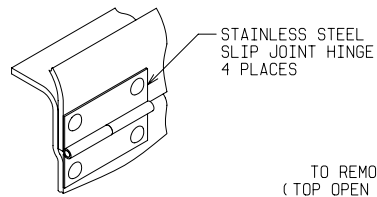
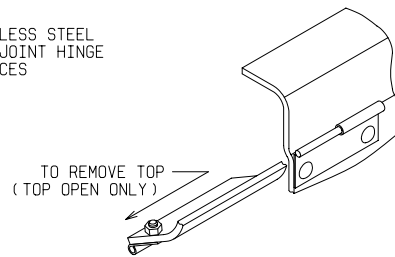


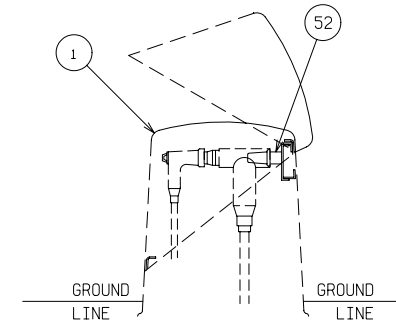
LATCH DETAIL  
TWO PLACES



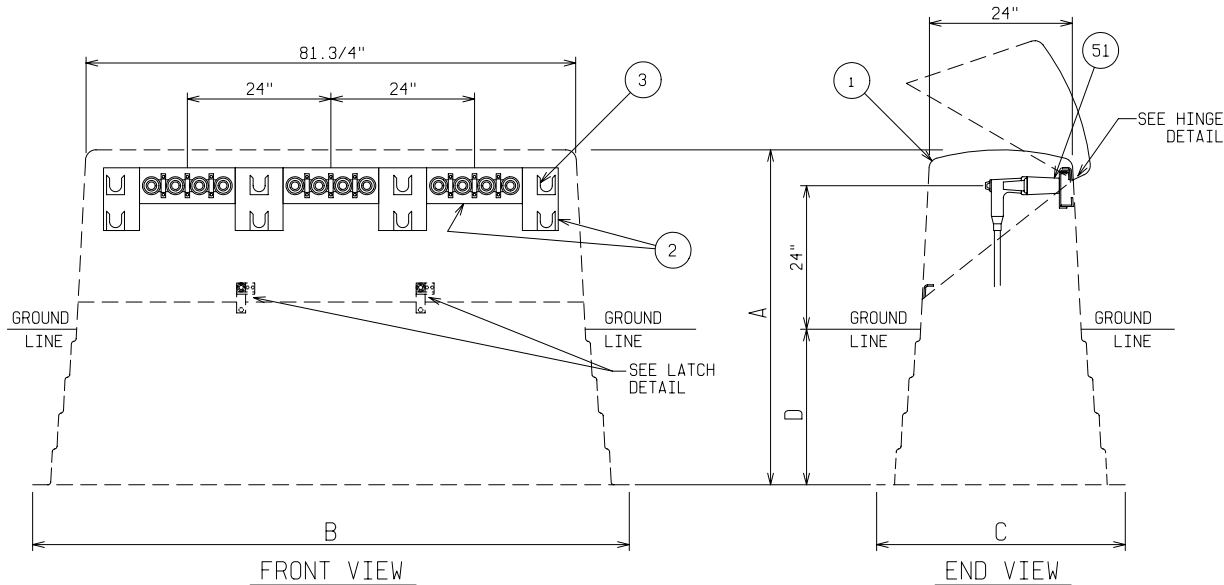
HINGE DETAIL  
(TOP CLOSED)



HINGE DETAIL  
(TOP OPEN)



ALTERNATE END VIEW  
WITH 600 AMP JUNCTION



GROUND LINE

FRONT VIEW

END VIEW

MATERIAL LIST - STANDARD UNIT

ITEM	DESCRIPTION
1	POWER DESIGN INC MODEL NO CJP-84 FIBERGLASS CABLE JUNCTION PEDESTAL
2	ALUMINUM JUNCTION MOUNTING BARS AND PARKING CLIP MOUNTING BARS
3	STAINLESS STEEL PARKING CLIPS

OPTIONAL EQUIPMENT

51	200 AMP LOADBREAK JUNCTION - 15/25KV - 95/125KV BIL - SPECIFY VOLTAGE & 2, 3, OR 4-WAY
52	600 AMP DEADBREAK JUNCTION - 15/25KV - 95/125KV BIL - SPECIFY VOLTAGE & 2, 3, OR 4-WAY

NOTE:

1. ORDERING INFORMATION:

USER SHOULD SELECT "D", BURIAL DEPTH, DESIRED. SPECIFY "A", OVERALL HEIGHT, AS A SUFFIX TO THE BASIC PART NO. i.e.: CJP-84-50 = 50" OVERALL HEIGHT 24" TERMINAL HEIGHT MAY BE INCREASED BY DECREASING BURIAL DEPTH OR ORDERING THE NEXT SIZE GREATER "A" DIMENSION.

2. MATERIAL:

- 1) FIBERGLASS LAMINATE 1/4" NOMINAL THICKNESS
- 2) EXTERIOR UV STABILIZED GELCOAT - 14 MIL NOMINAL THICKNESS
- 3) FIRE RETARDANT - DOES NOT SUPPORT COMBUSTION
- 4) TYPE 316 STAINLESS STEEL HARDWARE

3. MOUNTING BAR WILL WITHSTAND A MINIMUM 400 LB. LOADING TO INSTALL OR REMOVE ELBOWS.

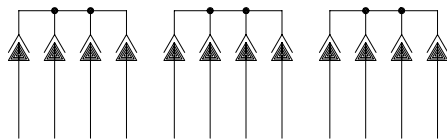
DEADFRONT CABLE JUNCTION PEDESTAL

15/25KV      200 AMP      95/125KV BIL  
THREE PHASE      2, 3 OR 4-WAY LOADBREAK JUNCTIONS



DRAWN: BB	PAGE	DATE 2-20-04	DRAWING NO. 1998
--------------	------	-----------------	---------------------

MODEL No.	OVERALL HEIGHT	OVERALL WIDTH AT BOTTOM	OVERALL DEPTH AT BOTTOM	MAXIMUM RECOMMENDED BURIAL DEPTH SEE NOTE 1
	A	B	C	D
CJP-84-41	41"	98.1/4"	40"	17"
CJP-84-50	50"	99"	41"	20"
CJP-84-56	56"	99.3/4"	41.1/2"	26"



SCHEMATIC

FILE REF: