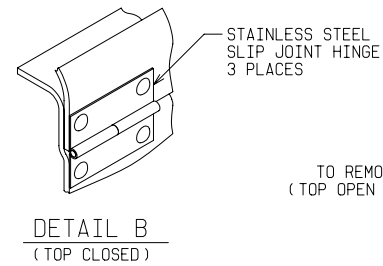
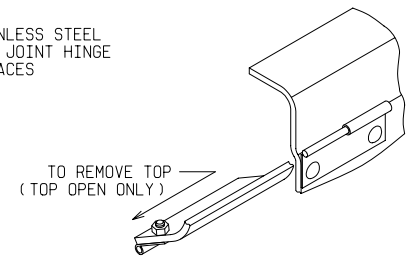


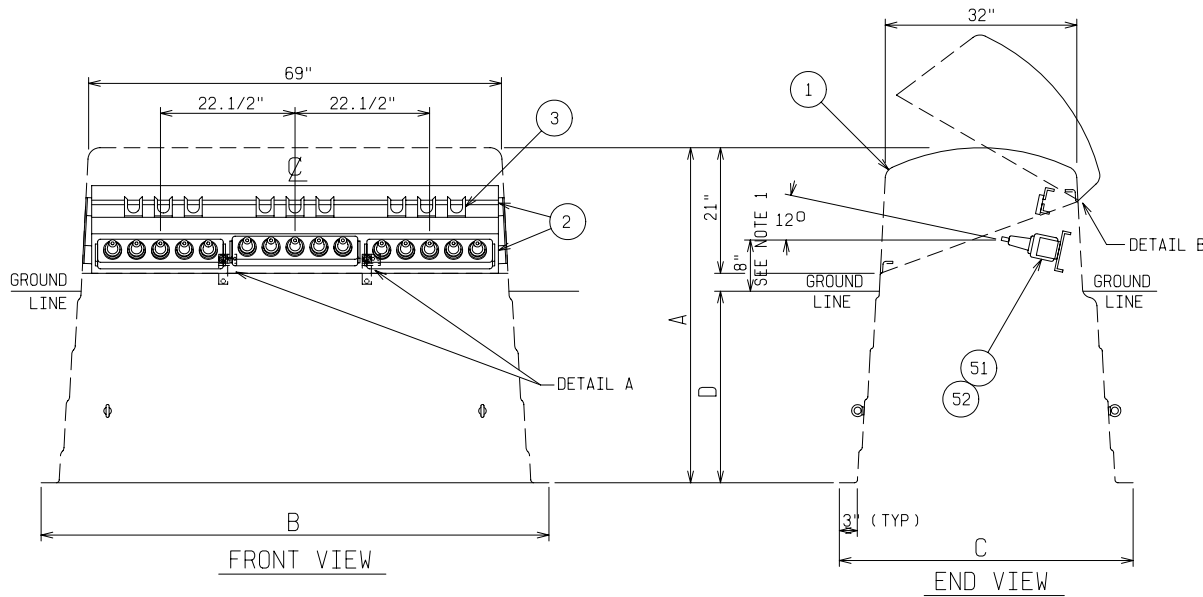
DETAIL A
LATCH DETAIL



DETAIL B
(TOP CLOSED)

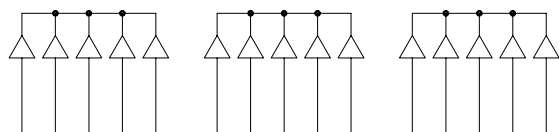


DETAIL B
(TOP OPEN)



FRONT VIEW

END VIEW



SCHEMATIC

MODEL No.	OVERALL HEIGHT	OVERALL WIDTH AT BOTTOM	OVERALL DEPTH AT BOTTOM	MAXIMUM RECOMMENDED BURIAL DEPTH SEE NOTE 1
	A	B	C	D
CJP-40-41	41"	81.1/4"	46.1/4"	17"
CJP-40-50	50"	83.1/4"	48.1/4"	26"
CJP-40-56	56"	84.3/4"	49.3/4"	32"

MATERIAL LIST - STANDARD UNIT	
ITEM	DESCRIPTION
1	POWER DESIGN INC MODEL NO CJP-40 FIBERGLASS CABLE JUNCTION PEDESTAL
2	ALUMINUM JUNCTION MOUNTING BAR AND PARKING CLIP MOUNTING RAILS
3	ADJUSTABLE LOCATION STAINLESS STEEL PARKING CLIPS

OPTIONAL EQUIPMENT	
51	PATTON & COOKE 5-WAY JUNCTION BAR - 15/25KV - 600 AMP - 95/125KV BIL - SPECIFY VOLTAGE
52	5-WAY HOTSPLICER JUNCTION - 15/25KV - 95/125KV BIL - 600 AMP SPECIFY VOLTAGE

NOTE:

1. ORDERING INFORMATION:

USER SHOULD SELECT "D", BURIAL DEPTH, DESIRED. SPECIFY "A", OVERALL HEIGHT, AS A SUFFIX TO THE BASIC PART NO. i.e.: CJP-40-50 = 50" OVERALL HEIGHT
8" TERMINAL HEIGHT MAY BE INCREASED BY DECREASING BURIAL DEPTH OR ORDERING THE NEXT SIZE GREATER "A" DIMENSION.

2. MATERIAL:

- 1) FIBERGLASS LAMINATE 3/16" NOMINAL THICKNESS
- 2) EXTERIOR UV STABILIZED GELCOAT - 14 MIL NOMINAL THICKNESS
- 3) FIRE RETARDANT - DOES NOT SUPPORT COMBUSTION
- 4) TYPE 316 STAINLESS STEEL HARDWARE

3. MOUNTING BAR WILL WITHSTAND A MINIMUM 400 LB. LOADING TO INSTALL OR REMOVE ELBOWS.

DEADFRONT CABLE JUNCTION PEDESTAL

15/25KV 600 AMP 95/125KV BIL

THREE PHASE 5-WAY DEADBREAK JUNCTION



DRAWN: BB	PAGE	DATE 12-18-03	DRAWING NO. 1981
--------------	------	------------------	---------------------

FILE REF: