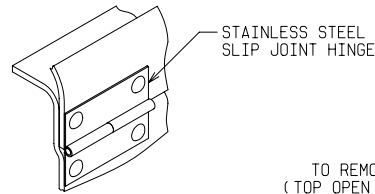
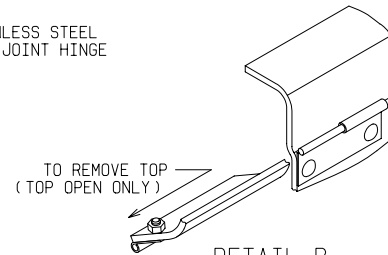


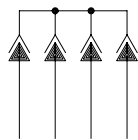
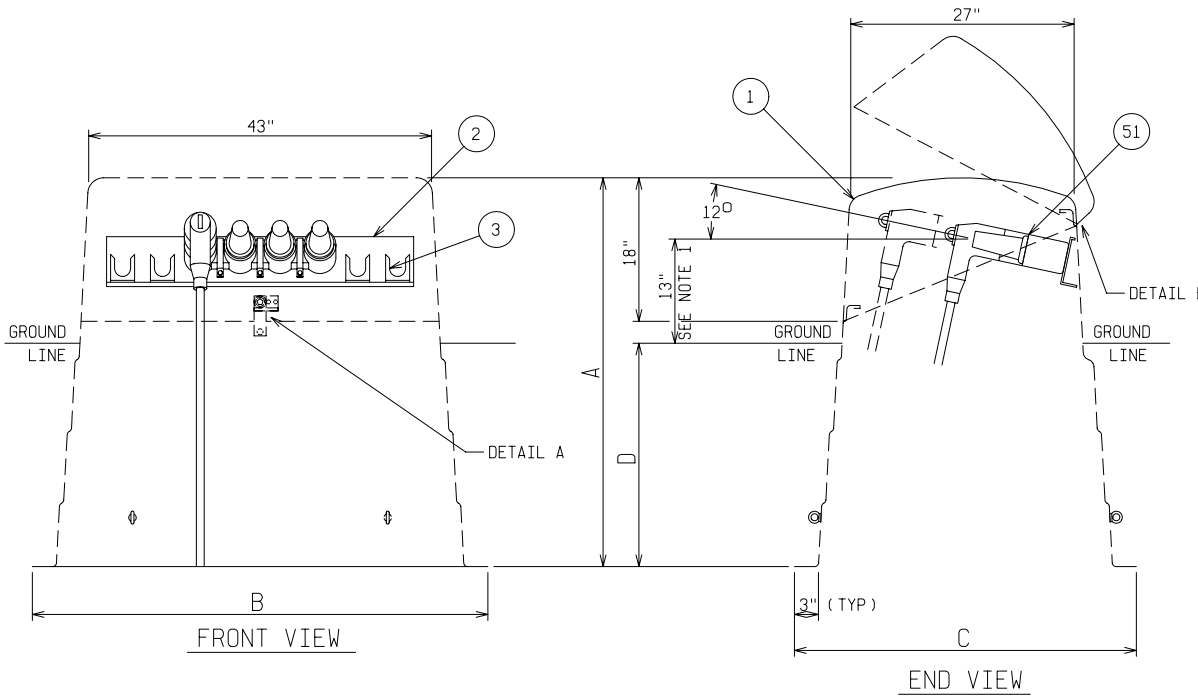
**DETAIL A**  
LATCH DETAIL



**DETAIL B**  
(TOP CLOSED)



**DETAIL B**  
(TOP OPEN)



**SCHEMATIC**

MODEL No.	OVERALL HEIGHT	OVERALL WIDTH AT BOTTOM	OVERALL DEPTH AT BOTTOM	MAXIMUM RECOMMENDED BURIAL DEPTH SEE NOTE 1
	A	B	C	D
CJP-15-33	33"	54.1/2"	40.1/4"	12"
CJP-15-39	39"	55.1/4"	41"	18"
CJP-15-49	49"	57.1/4"	43"	28"
CJP-15-54	54"	58.3/4"	44.1/2"	33"

**MATERIAL LIST - STANDARD UNIT**

ITEM	DESCRIPTION
1	POWER DESIGN INC MODEL NO CJP-15 FIBERGLASS CABLE JUNCTION PEDESTAL
2	STAINLESS STEEL JUNCTION MOUNTING BAR
3	STAINLESS STEEL PARKING CLIPS

**OPTIONAL EQUIPMENT**

51	200 AMP LOADBREAK JUNCTION - 35KV - SPECIFY MANUFACTURER AND 2, 3, OR 4-WAY
----	---

**ORDERING INFORMATION:**

USER SHOULD SELECT "D", BURIAL DEPTH, DESIRED.  
SPECIFY "A", OVERALL HEIGHT, AS A SUFFIX TO THE BASIC PART NO.  
i.e.: CJP-15-49 = 49" OVERALL HEIGHT  
13" TERMINAL HEIGHT MAY BE INCREASED BY DECREASING BURIAL DEPTH OR ORDERING THE NEXT SIZE GREATER "A" DIMENSION.

**NOTE:**

- MATERIAL:**
  - FIBERGLASS LAMINATE 3/16" NOMINAL THICKNESS
  - EXTERIOR UV STABILIZED GELCOAT - 14 MIL NOMINAL THICKNESS
  - FIRE RETARDANT - DOES NOT SUPPORT COMBUSTION
  - TYPE 316 STAINLESS STEEL HARDWARE
- MOUNTING BAR WILL WITHSTAND A MINIMUM 400 LB. LOADING TO INSTALL OR REMOVE ELBOWS.
- EQUIPMENT SHOWN IS THE LARGEST INTERFACE THREE PHASE RATED. CLEARANCES MAY BE INCREASED WITH OTHER MANUFACTURER'S EQUIPMENT

**DEADFRONT CABLE JUNCTION PEDESTAL**

35KV      200 AMP      150KV BIL  
SINGLE PHASE      2, 3, OR 4-WAY LOADBREAK JUNCTION



DRAWN: BB	PAGE	DATE 3-29-04	DRAWING NO. 3308
--------------	------	-----------------	---------------------

FILE REF: