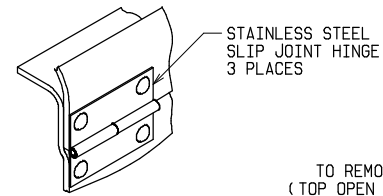
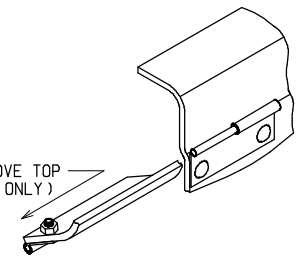


DETAIL A
LATCH DETAIL

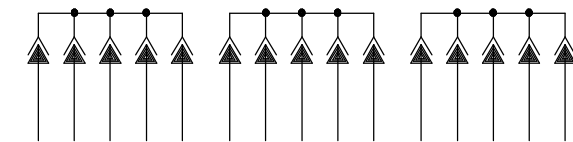
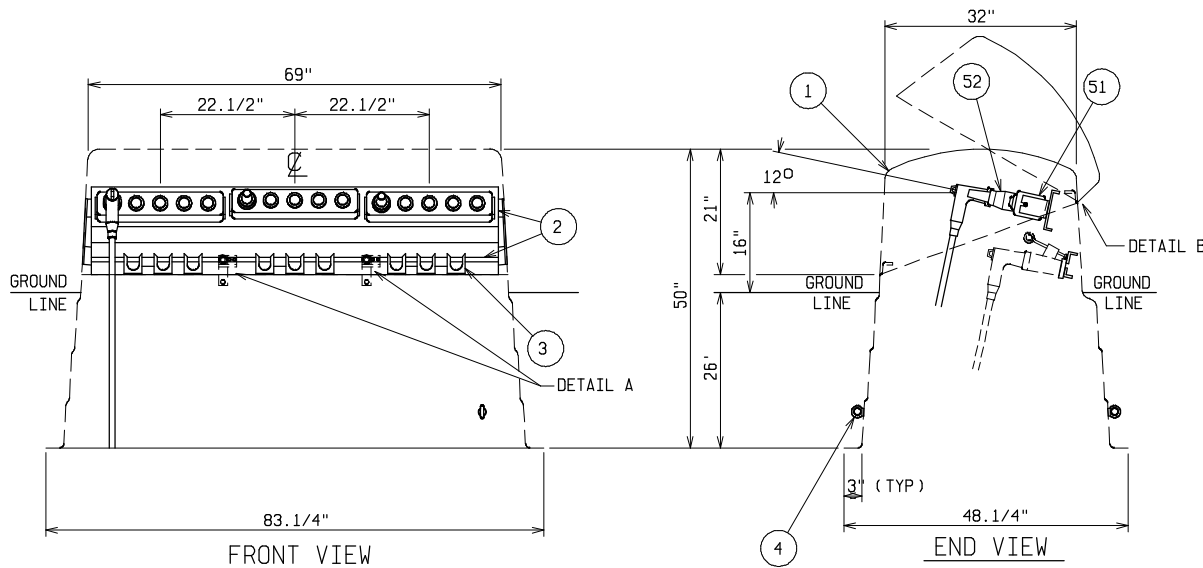


DETAIL B
(TOP CLOSED)

TO REMOVE TOP
(TOP OPEN ONLY)



DETAIL B
(TOP OPEN)



SCHEMATIC

MATERIAL LIST - STANDARD UNIT

ITEM	DESCRIPTION
1	POWER DESIGN INC MODEL NO CJP-41-50-L2-MG FIBERGLASS CABLE JUNCTION PEDESTAL - MUNSELL GREEN
2	ALUMINUM JUNCTION MOUNTING BAR AND PARKING CLIP MOUNTING RAILS
3	ADJUSTABLE LOCATION STAINLESS STEEL PARKING CLIPS
4	GALVANIZED LIFTING EYE BOLTS - ONE ON FRONT & ONE ON BACK

OPTIONAL EQUIPMENT

51	200 AMP PATTON & COOKE 5 POINT JUNCTION BAR - 200 AMP SPECIFY 15 OR 25KV
52	LOADBREAK BUSHING INSERT - 200 AMP - 15KV - 95KV BIL

NOTE:

- MATERIAL:**
 - FIBERGLASS LAMINATE 1/4" NOMINAL THICKNESS
 - EXTERIOR UV STABILIZED GELCOAT - 14 MIL NOMINAL THICKNESS
 - FIRE RETARDANT - DOES NOT SUPPORT COMBUSTION
 - STAINLESS STEEL HARDWARE
- MOUNTING BAR WILL WITHSTAND A MINIMUM 400 LB. LOADING TO INSTALL OR REMOVE ELBOWS.

CATALOG NO: CJP-41-50-L2-MG-1682

DEADFRONT CABLE JUNCTION PEDESTAL

15/25KV 200 AMP 95/125KV BIL

THREE PHASE 5-WAY JUNCTIONS



POWER DESIGN INC.

ODELL, OREGON

DRAWN:	PAGE	DATE	DRAWING NO.
BB		2-2-00	1682

FILE REF: