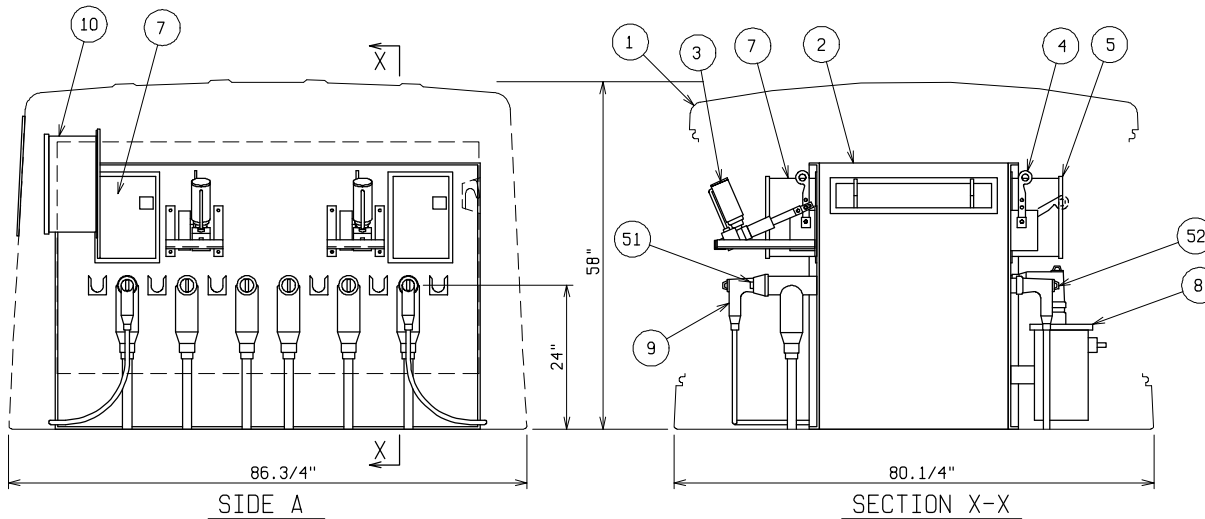


PAD & ANCHOR BOLT DETAIL

ANCHOR BOLTS TO BE 5/8" DIA. & TO EXTEND 1-1/2" MINIMUM ABOVE PAD. PROVIDE CABLE ENTRY AS REQ'D.



MATERIAL LIST - STANDARD UNIT

ITEM	DESCRIPTION
1	FIBERGLASS EQUIPMENT ENCLOSURE - 4 DOOR - STANDARD GREEN - STNLS STL HARDWARE - PDI MODEL NO. PE4-86-1
2	VACUUM LOADBREAK/FAULT INTERRUPTER SWITCH - SF6 INSULATION 600/200 AMP - 15/25KV - 95/125KV BIL - 12 KAIC
3	REMOTE CONTROL MOTOR OPERATOR - STORED ENERGY OPERATOR
4	VACUUM FAULT INTERRUPTER OPERATOR (VFI)
5	VACUUM FAULT INTERRUPT CONTROL - ELECTRONIC TRIP CONTROL (ETC)
6	RELAY CLASS CURRENT TRANSFORMERS - INTERNALLY MOUNTED
7	AUXILIARY SWITCH HOUSING
8	DEADFRONT CONTROL POWER TRANSFORMER - 125KV BIL
9	CONTROL TRANSFORMER JUMPER WITH LOADBREAK ELBOWS ON EACH END
10	LOCAL/REMOTE SWITCHING CONTROL PANEL - 2 CIRCUIT
11	FIBERGLASS CONTROL PANEL ACCESS DOOR

OPTIONAL EQUIPMENT

51	600 AMP DEADBREAK ELBOW - SPECIFY VOLTAGE & CABLE INFORMATION
52	200 AMP LOADBREAK ELBOW - SPECIFY VOLTAGE & CABLE INFORMATION

NOTE:

SEE JOB MATERIAL LIST FOR ADDITIONAL EQUIPMENT
PROVIDE ELBOWS WITH ADDITIONAL SUPPORT AS REQUIRED

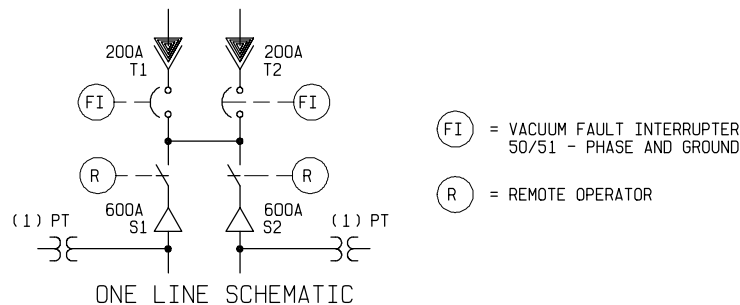
VACUUM SWITCHGEAR - DEADFRONT

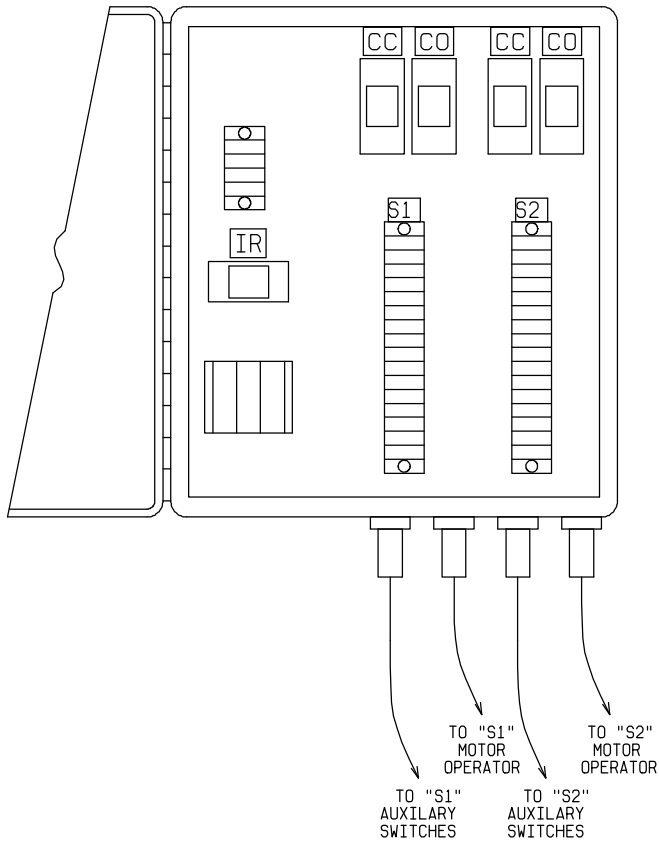
15/25KV 600/200 AMP 95/125KV BIL
 REMOTE SWITCHED 2 WAYS VACUUM FAULT INTERRUPTED 12KAIC 2 WAYS



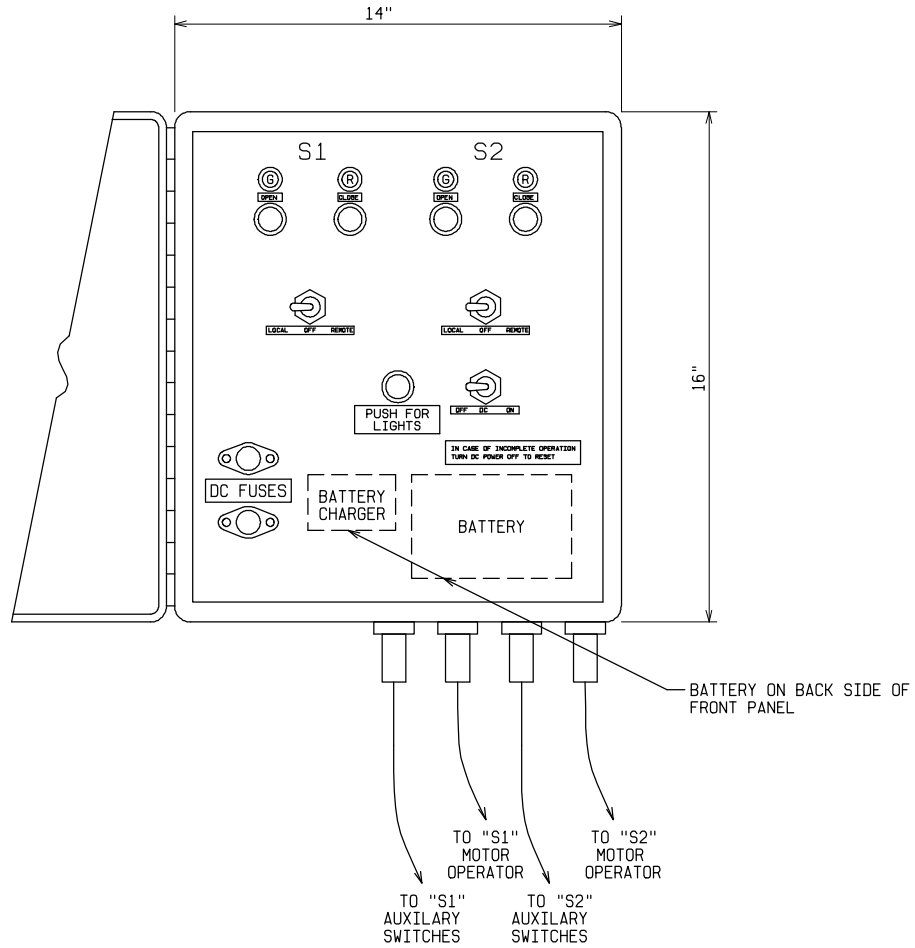
POWER DESIGN INC.

ODELL, OREGON






BACK PANEL DETAIL
FRONT PANEL OPEN



HINGED FRONT PANEL DETAIL

CABINET - 14 x 16 x 8
STAINLESS STEEL

LOCAL/REMOTE CONTROL CABINET 14 x 16 x 8 STAINLESS STEEL 2 CIRCUIT MOTOR OPERATORS - TAP S1 AND TAP S2			
 POWER DESIGN INC. ODELL, OREGON			
DRAWN: BB	PAGE 2 OF 2	DATE 7-5-94	DRAWING NO. 1210

FILE REF.